

WIRE BASKET TRAY

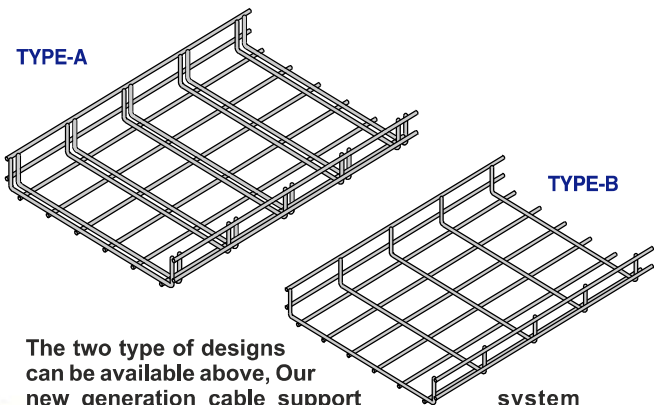
- **TECHNICAL DATA**
- **STRAIGHT SECTION**
- **ACCESSORIES**
- **LOADING INFORMATION**
- **INSTALLATION INFORMATION**



Technical Data

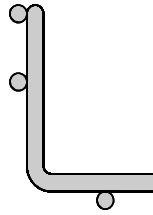
Metal-One Basket Cable Tray Systems are produced from ASTM A510 high strength steel wires. A fully automated welding process produces continuous wire mesh, which is formed into our Wire Basket System. The standard 2"x4" (50x100 mm) wire mesh pattern is designed for maximum flexibility, allowing for easy field cutting, bending, Fast - Adaptable - Economical.

Wire Basket Cable Tray Systems



The two type of designs can be available above, Our new generation cable support system is adaptable for today's cabling requirements and is sized and finished to match industry standards with more loading capability. Metal-One Wire Basket System provides the necessary cable support while allowing unmatched field installation adaptability. - Pre packaged installation kits and accessory options strengthen this new system's advantages and flexibility, a new concept for today's demanding requirements. Standard finish, Electrical galvanized, Electrical galvanized with nickel treatment, custom powder coated, Hot dipped galvanized, SS304, SS316.

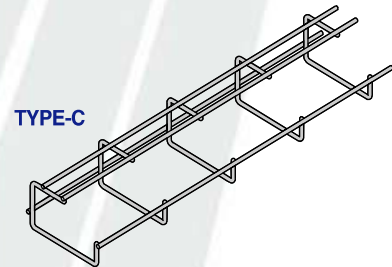
Construction



Our patented rounded wire ends are designed for the safety of cables and installers. Along the cable tray sides unique rounded end which provides safe handling and protects cables straight top wire design maximizes the rigidity of the system, provides higher strengths, and better the system, provides higher strengths, and better strength to weight ratios than systems with "bent" top wire designs.







Snap Mount Wire Basket

The Snap Mount Wire Basket attaches directly to ceilings, racks, walls and other equipment. It is ideally suited for support of local area networks and telecom cables.


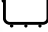






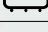






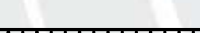

Finishes







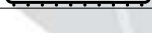


The surface coating provides protection against corrosion and is an important part of Metal-One Wire Basket System and accessories. Standard finishes are indicated on each catalog page and consist of one of the following:







Suffix	Finish	Specification	Use
 EG	Electroplated Zinc Galvanizing Finish applied after fabrication	ASTM B633 Avg. thickness of 0.7 mils (18 microns) to 0.8 mils (20 microns)	Controlled interior applications
 GN	Zinc and nickel protection	ASTM B633 Avg. thickness of 0.8 mils (19 microns) to 0.9 mils (22 microns)	Controlled interior applications
 GS	Pre-Galvanized Finish applied before fabrication	ASTM A641	Exterior, corrosive applications
 HDG	Hot Dip Galvanized Finish applied after fabrication	ASTM A123 Avg. thickness of 2.4 mils (60 microns) to 3.2 mils (80 microns)	Exterior, corrosive applications
 SS304/ SS304L	304/304L Stainless Steel	ASTM A580	Food preparation, wash-down areas
 SS316/ SS316L	316/316L Stainless Steel	ASTM A580	Highly corrosive applications & marine environments

TRAY SIZES

		DEPTH	WIDTH	LENGTH	WEIGHT
WB1.5X4X10		1.5"	4"	10'	5.8 lbs
WB1.5X6X10		1.5"	6"	10'	7.4 lbs
WB1.5X8X10		1.5"	8"	10'	9 lbs
WB1.5X12X10		1.5"	12"	10'	12.1 lbs

Part		DEPTH	WIDTH	LENGTH	WEIGHT
WB2X2X10		2"	2"	10'	6.8lbs
WB2X4X10		2"	4"	10'	8.6lbs
WB2X6X10		2"	6"	10'	10.2lbs
WB2X8X10		2"	8"	10'	11.8lbs
WB2X12X10		2"	12"	10'	15lbs
WB2X16X10		2"	16"	10'	23lbs
WB2X18X10		2"	18"	10'	25lbs
WB2X20X10		2"	20"	10'	27lbs
WB2X24X10		2"	24"	10'	31lbs
<input type="checkbox"/> WB2X30X10		2"	30"	10'	37.5lbs
<input type="checkbox"/> WB2X32X10		2"	32"	10'	39lbs

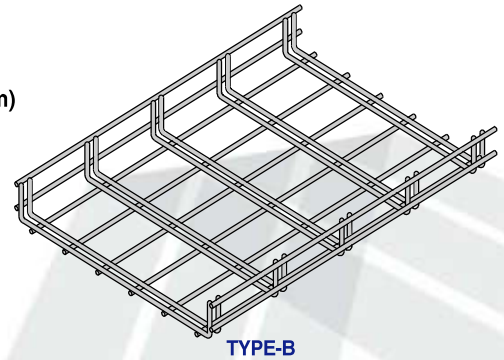
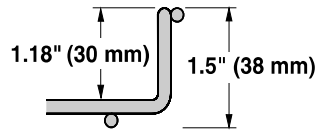
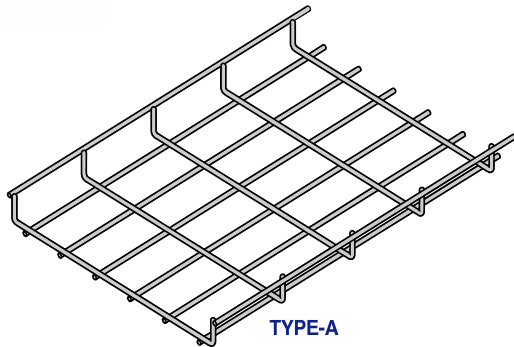
Part		DEPTH	WIDTH	LENGTH	WEIGHT
WB4X4X10		4"	4"	10'	11.8 lbs
WB4X6X10		4"	6"	10'	12.8 lbs
WB4X8X10		4"	8"	10'	15 lbs
WB4X12X10		4"	12"	10'	23 lbs
WB4X16X10		4"	16"	10'	27 lbs
WB4X18X10		4"	18"	10'	29 lbs
WB4X20X10		4"	20"	10'	31 lbs
WB4X24X10		4"	24"	10'	35 lbs
<input type="checkbox"/> WB2X30X10		4"	30"	10'	41 lbs

Part		DEPTH	WIDTH	LENGTH	WEIGHT
WB6X8X10		6"	8"	10'	23 lbs
WB6X12X10		6"	12"	10'	27 lbs
WB6X16X10		6"	16"	10'	31 lbs
WB6X18X10		6"	18"	10'	33 lbs
WB6X20X10		6"	20"	10'	35 lbs
WB6X24X10		6"	24"	10'	39 lbs

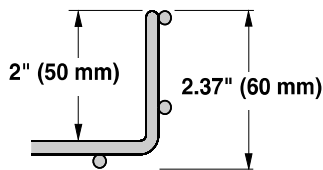
WIRE BASKET

Straight Section

WB100 Series Wire Basket System

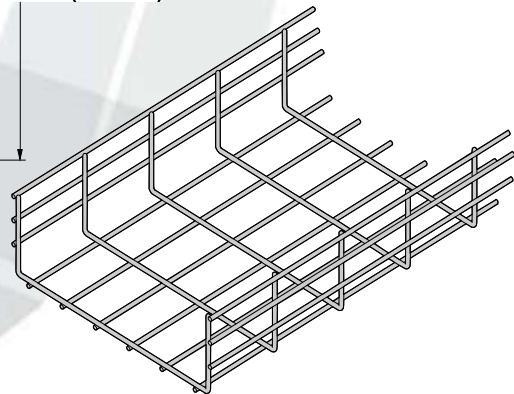
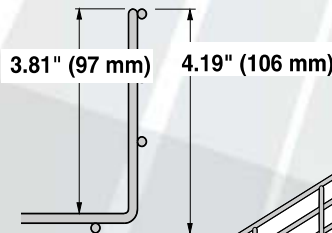
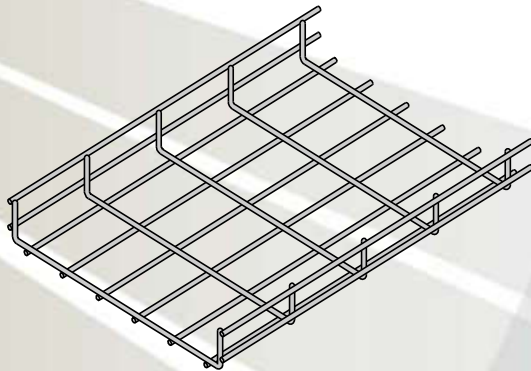


WB200 Series Wire Basket System

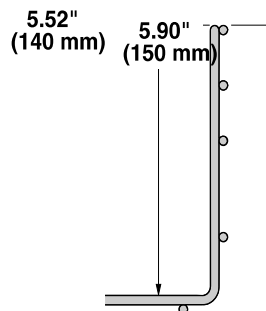
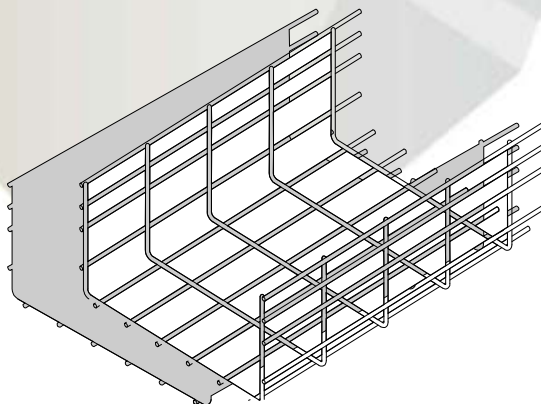


Type A: Single rung wire mesh cable tray
 Type B: Double rung wire mesh cable tray are available
 Wire Dia. 2" - 12" wide (50 mm - 300 mm) .166" (4.2mm),
 16" - 32" wide (400 mm - 800 mm) .195" (5.0 mm)
 Standard Finish: Zinc Plated, (Other finishes available see page WB-3.)

WB400 Series Wire Basket System



WB600 Series Wire Basket System

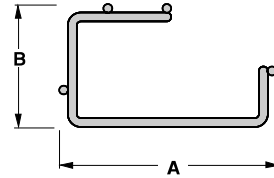


WIRE BASKET

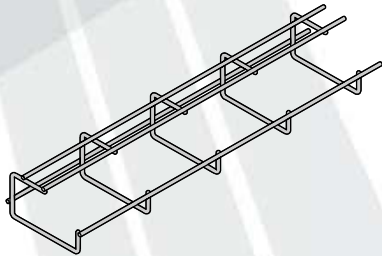
Straight Section

BS504 Series Snap Mount Wire System

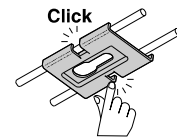
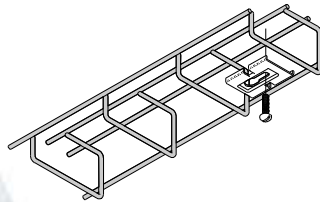
Snap Mount Wire System attaches directly to ceilings, walls and equipment racks without brackets. Attach with WB4SC Snap Clamps. Ideally suited for support of local area networks and telecom cables.



Part Number	A		B		Wt. Per Pc.	
	in.	mm	in.	mm	lbs.	kg
● WB504	4.3	110	2.5	63	1.76	.8



Height: 2.5" (63 mm)
Length: 78" (2 meter)
Wire Dia.: 173" (4.4 mm)
Standard Finish: Zinc Plated

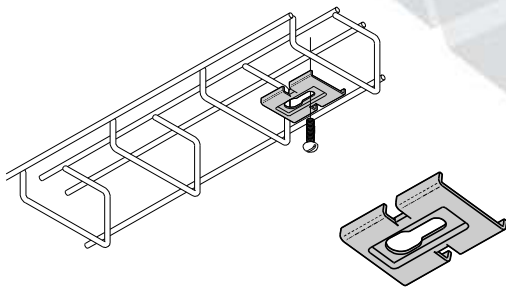


Snap Clamp WB4SC

WIRE BASKET

ACCESSORIES

Snap Clamp



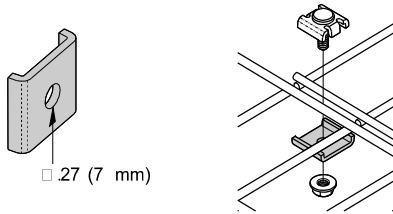
Finish: Zinc Plated

Part Number	Wt. Per 100		Box Quantity
	lbs.	kg	
● WB4SC	11.0	5.0	25

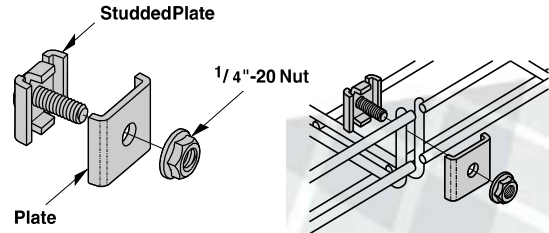
Snap Clamp is designed for quick attachment of Series WB504 Snap Mount Wire Basket to ceilings, racks, walls and other equipment. Secure with 1/4" hardware (not included).

Part Number	Wt. Per 100		Box Quantity
	lbs.	kg	
● WB4CA	4.9	2.2	50

Patented welded studplate is designed for ease of installation and is the most widely used method for assembly of Wire Basket Systems. Use to connect two straight sections and to assemble horizontal fittings.



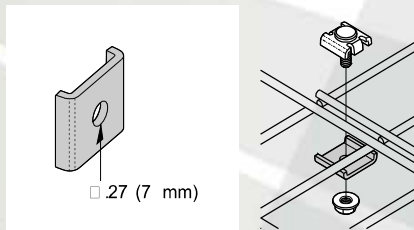
Connector Assembly



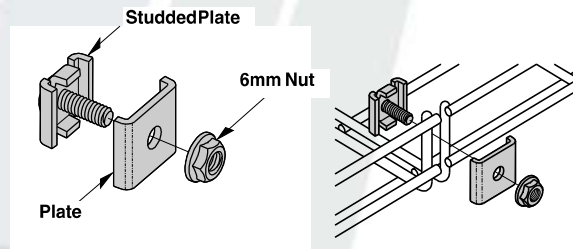
Finish: Zinc Plated

Part Number	Wt. Per 100		Box Quantity
	lbs.	kg	
● WBM6CASS4	4.9	2.2	50

Patented welded studplate is designed for ease of installation and is the most widely used method for assembly of Wire Basket Systems. Use to connect two straight sections and to assemble horizontal fittings.



Connector Assembly

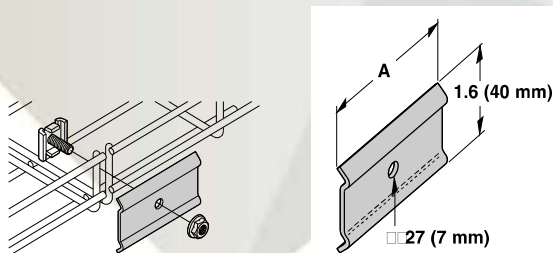


Finish: Stainless Steel Type 304

Splice Plate (Hardware Not Included)

Part Number	A		Wt. Per 100		Box Quantity
	in.	mm	lbs.	kg	
● WB4SP	2.7	70	12.2	5.5	50

Splice Plate is designed for use with Clamp Assembly (WB4CP) to provide added stability of splice connections. Use with Series 200, 400 and 600 Wire Basket Systems.

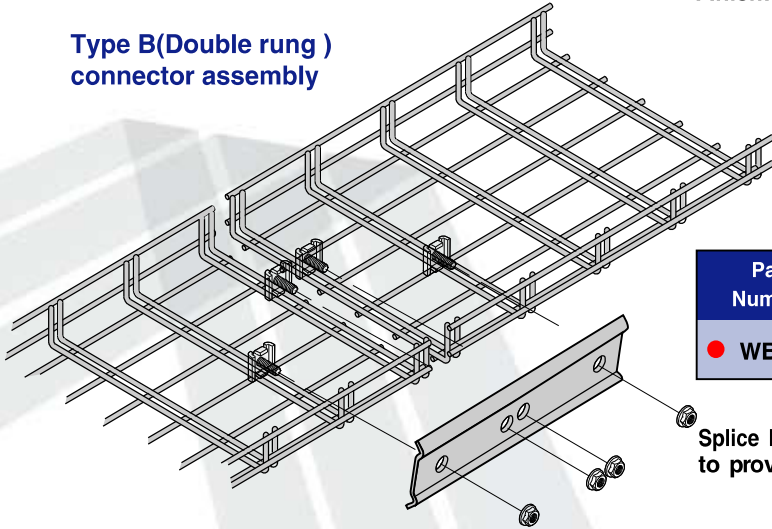


Finish: Zinc Plated
Stocked in Stainless Steel

Splice Plate (Hardware Not Included)

Type B(Double rung)
connector assembly

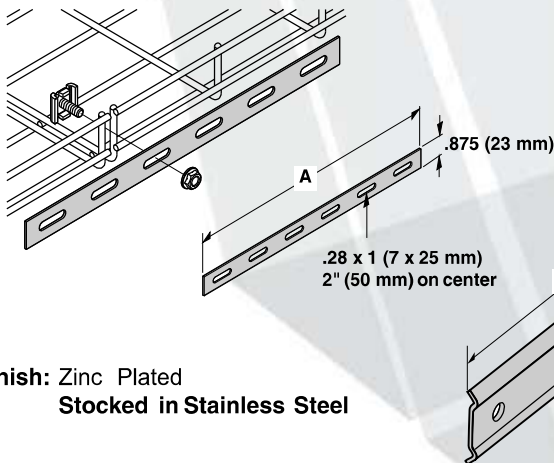
Finish: Zinc Plated
Stocked in Stainless Steel



Part Number	A		Wt. Per 100		Box Quantity
	in.	mm	lbs.	kg	
● WB4SP	2.7	70	12.2	5.5	50

Splice Plate is designed for use with Clamp Assembly (WB4CP) to provide added stability of splice connections.

Splice Bar



Part Number	A		Wt. Per 100		Box Quantity
	in.	mm	lbs.	kg	
● WB12SB	11.8	300	13.4	6.1	50

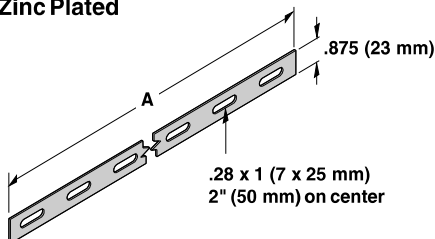
SplicePlate is designed for use withClamp Assembly (WB4CP) to provide added stability of splice connections.

Finish: Zinc Plated
Stocked in Stainless Steel

Type B(Double rung)
connector assembly is also available

Splice Bar (Only)

Finish: Zinc Plated



Part Number	A		Wt. Per 100		Box Quantity
	in.	mm	lbs.	kg	
● WB43SB	43.4	1102	50.1	22.7	1

WB43SB long Splice Bar is used for assembly of large radius horizontal bends or field cut into short splice bars. Splice Bars are designed for use with Clamp Assembly (WB4CP)

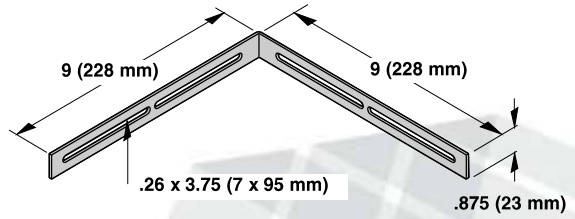
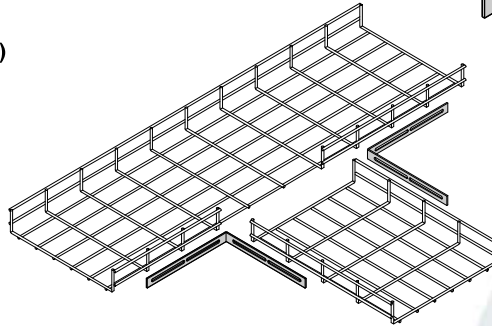
Tee Bar (Only)

Part Number	Wt. Per 100		Box Quantity
	lbs.	kg	
● WB9TB	43.8	19.9	10

Use to make Horizontal Tee Fittings. Sold individually without hardware.

To complete HT, use:

- 2 - WB9TB
- 8 - WB4CP (order separately)

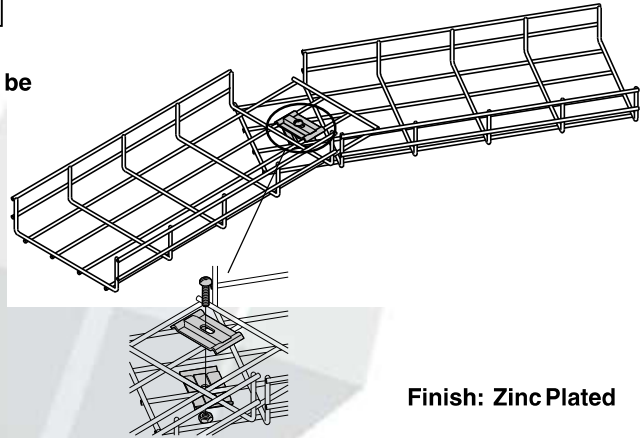
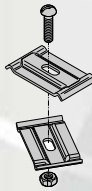


Finish: Pre-Galvanized Zinc

Horizontal Adjustable Kit

Part Number	Wt. Per 100		Box Quantity
	lbs.	kg	
● WB4HAK	16.2	7.3	10

This conveniently poly-bagged horizontal adjustable kit can be used to create horizontal angles from prepared wire basket straight sections.



Finish: Zinc Plated

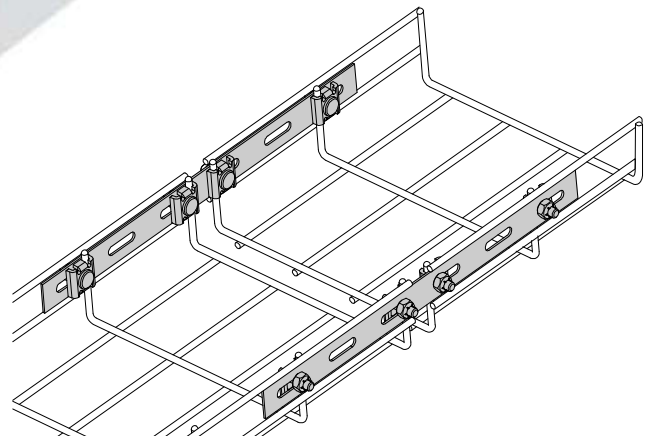
Expansion Splice Kit

- Kit allows 1³/₄" (44 mm) expansion between two pieces of wire basket

Includes: Two WB12SB and Hardware

Finish: Zinc Plated

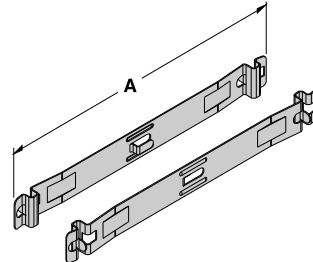
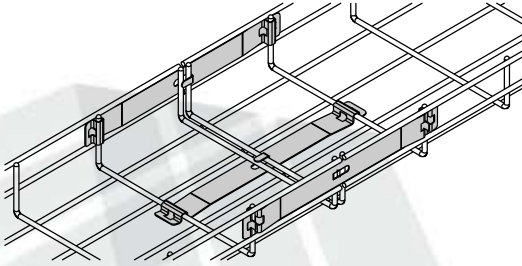
Part Number	Wt. Per 100		Box Quantity
	lbs.	kg	
● WB4ESK	53.2	24.1	5



Stocked in Stainless Steel

Tab-Loc Connector

Part Number	A		Wt. Per 100		Box Quantity
	in.	mm	lbs.	kg	
● WB-TLC	9.29	236	16.5	7.5	50



Finish: Zinc Plated

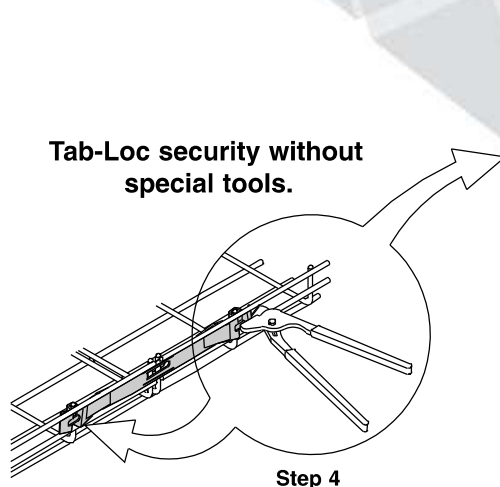
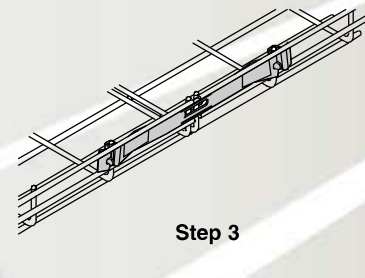
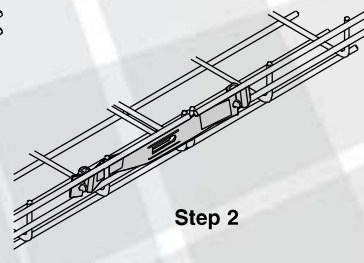
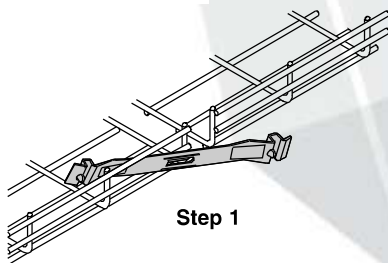
Application Requirements For WB200 Series, WB400 Series and WB600 Series

The recommendations listed are equal for all depths (except as noted).

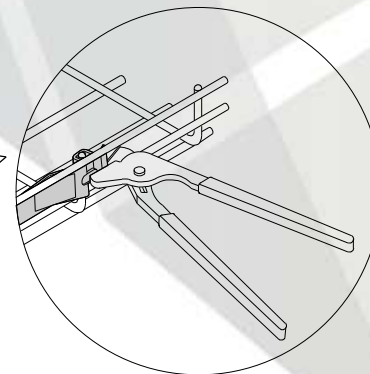
NOTE : UL Classification refers to the NEC 392-7(b)(4) which requires by definition, a bolted mechanical connection.

Widths	Available Depths	Side Splice	Bottom Splice
02	2"	2	N/A
04	2" & 4"	2	1
06	2"	2	1
08	2" & 4"	2	1
12	2", 4" & 6"	2	1
18	2", 4" & 6"	2	2
20	6"	2	2
21	2" & 4"	2	2
24	2", 4" & 6"	2	2

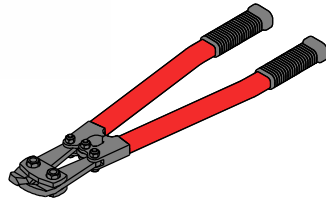
Installation



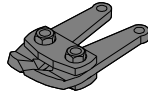
Tab-Loc security without special tools.



Screw-driver can also be used to bend tab-locs (hold connector ends while bending).

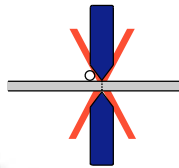
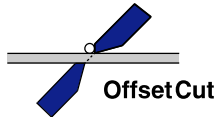
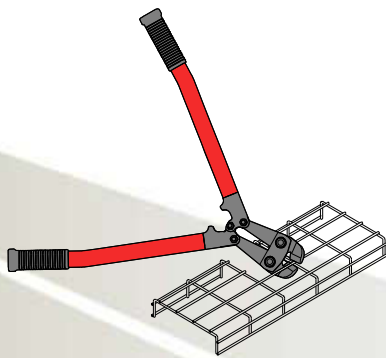


WB30BC
Angular Bolt Cutter



WB30RB
Replacement Blade

Completely adaptable, Metal-One Wire Basket System is designed to accommodate jobsite changes. Straight sections can be modified to produce bends, tees, crosses or reducers. Simply follow illustrated procedures on pages WB-31 through WB-35 for cutting, bending and assembly. Cut wires with Metal-One Angular Bolt Cutter, bend to preferred radius and assemble.



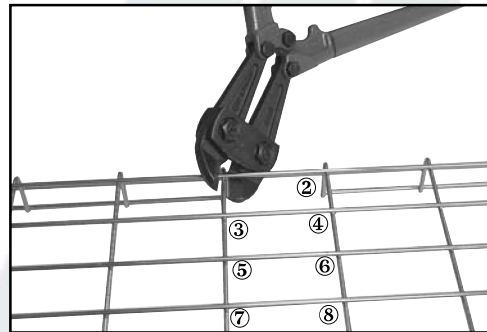
Do not use center cut blades.

For the best results, use a WB30BC Angular Blade Offset Bolt Cutter with 24" (600 mm) long handles. The Offset Blade Cutter produces a clean cut. Position bolt cutter blades near the cross wire and perpendicular to wire to be cut (see illustration below). Proper cut will make the assembly faster, easier and safer while minimizing grinding.

Angular Bolt Cutter WB30BC

Part Number	Size		Wt. Per Pc.		Box Quantity
	in.	mm	lbs.	kg	
● WB30BC	24	600	6.8	3.1	1
● WB30RB	-	-	1.3	.6	1

Cut and remove each wire as illustrated below. Follow cutting pattern and blade positioning. Placing Wire Basket open side down provides the optimum cutting angle.



Cutting Order

Illustrations (refer to pages WB-31 through WB-35) show some of the many possible methods for the cutting and assembly of bends, reducers, tees and crosses. Recommended cuttings are intended as a guide only. Actual field conditions may require slight modifications.

Metal-One Wire Basket is designed with total flexibility and offers unlimited job site adjustment. Wire Basket is adaptable to assist you in solving unexpected job site conditions.

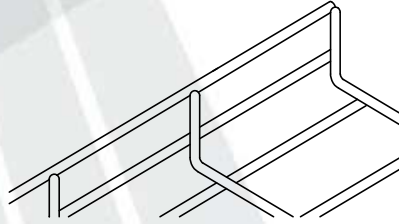
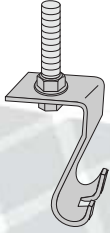


Part Number	Length		Wt. Per Cutter		Box Quantity
	in.	mm	lbs.	kg	
● WB50WC	12 ³ / ₄	325	3.0	1.3	1

The cable wire cutter makes flush cuts without burrs. Will cut .191" diameter wire in 2 seconds. Cutting head rotates 330° for ease of positioning and the tool automatically retracts when cut is complete. Comes with 2 batteries, charger and carrying case. Approximately 250 cuts per charge.

Part Number	Description	Box Quantity
● WB50RB	Replacement Blade	1
● WB50BA	Replacement Battery	1

Overhead Hanger Clip

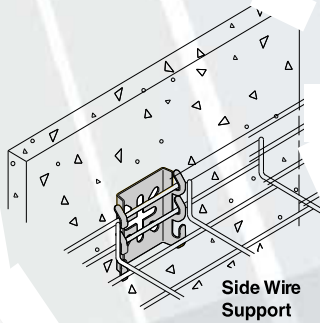
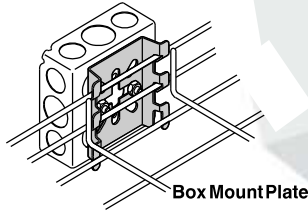
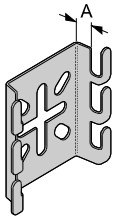


Finish: Zinc Plated
Stocked in Stainless Steel

Part Number	Wt. Per 100		Box Quantity
	lbs.	kg	
● WB46H	10.4	4.7	50

Accommodates 1/4" and 3/8" rod sizes. Installs quickly with a screwdriver or pliers thus reducing installation time. Requires only one hex nut (not included) to hang and level the wire basket. Retainer tabs can be bent over to lock-in the threaded rod and wire basket.

Wall Bracket and Box Mount Plate

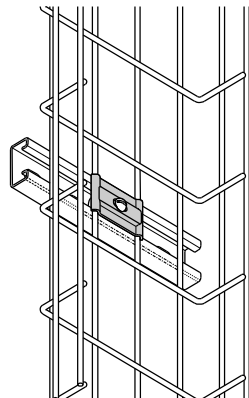
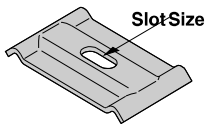


Finish: Pre-Galvanized Zinc

Part Number	A		Wt. Per 100		Box Quantity
	in.	mm	lbs.	kg	
● WB4WB	55	14	22.0	10.0	25

- Designed for wall attachment of 2", 4" and up to 6" (50, 100, 150 mm) wide wire baskets. Bend tabs to secure. Wall mounting hole patterns provided in bracket for up to 1/4" hardware. Wall mount hardware not included.
- Designed for attachment of equipment to Wire Basket System. Hole patterns provided for up to 1/4" hardware.

Hold Down Plate



Finish: Zinc Plated

Part Number	Slot Size		Wt. Per 100		Box Quantity
	in.	mm	lbs.	kg	
● WB4HD	.28 x .55	7 x 14	7.3	3.3	50

Designed to secure Wire Basket System to Wall Brackets and Trapeze Kit.

To complete 1/4" Hold Down Plate assembly, use:

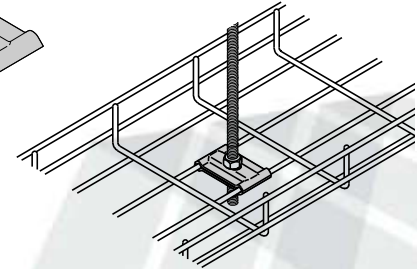
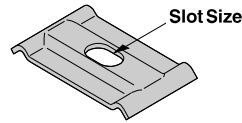
- 1 - WB4HD 1/4" Hold Down Plate
- 1 - SRHMS 1/4"-20 x 1" Machine Screw (order separately)
- 1 - HN 1/4"-20 Hex Nut or N524WO channel nut (order separately)

Part Number	Slot Size		Wt. Per 100		Box Quantity
	in.	mm	lbs.	kg	
● WB6CH	.40 x .70	10 x 18	7.1	3.2	50

Designed to support 4" and 6" wide Wire Basket System for 3/8" threaded rod. Order threaded rod separately. To protect cables use threaded rod protector. Optional ATR stiffener

To complete 3/8" Center Hanger assembly, use:

- 2 - WB6CH 3/8" Center Hangers
- 2 - HN 3/8"-16 Hex Nuts (order separately)

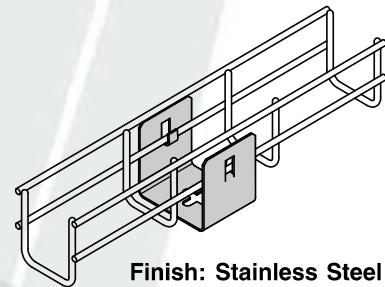
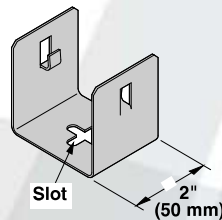
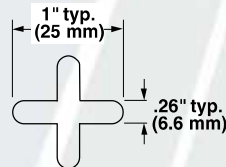


Center Hanger

Finish: Zinc Plated
Stocked in Stainless Steel

Part Number	Wt. Per 100		Box Quantity
	lbs.	kg	
● WB202MB SS4	21	9.5	10

Designed to support WB202 Wire Basket. Clicktabs for wire basket attachment. See page WB-18 for ClickHanger instructions. Use 1/4" hardware and washer to mount bracket (not included).



Finish: Stainless Steel 304

Mounting Bracket

Part Number	System Width		Channel Length		Wt. Per Pc.		Box Quantity
	in.	mm	in.	mm	lbs.	kg	
● WB5308	8	200	11.5	292	.9	.4	1
● WB5312	12	300	13.8	350	1.8	.8	1

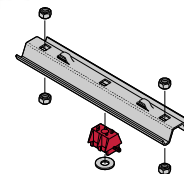
Click hanger design, no wire basket attachment hardware required. See page WB-18 for ClickHanger instructions. Engineered and supplied in kit form to install as a center hanger or trapeze hanger.

Supplied with 1 security plug, 1 washer and 4 - 3/8"-16 hex nuts.

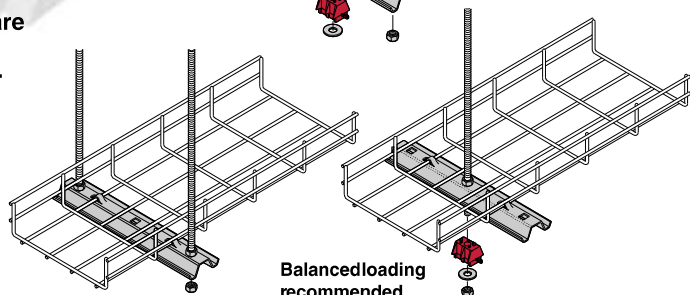
Optional ATR stiffener

To protect cables use threaded rod protector

Click Hanger Center Hanger/Trapeze Kits



Kits supplied with attachment hardware.

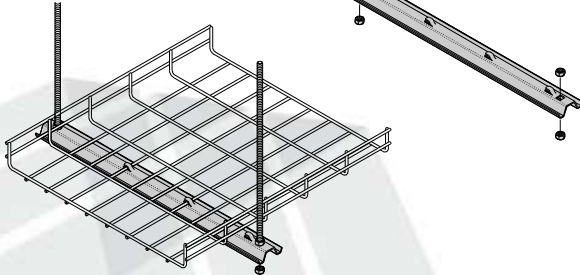


Balanced loading recommended

Finish: Pre-Galvanized Zinc

Click Hanger Trapeze Kits

Kits supplied with attachment hardware.



Finish: Pre-Galvanized Zinc

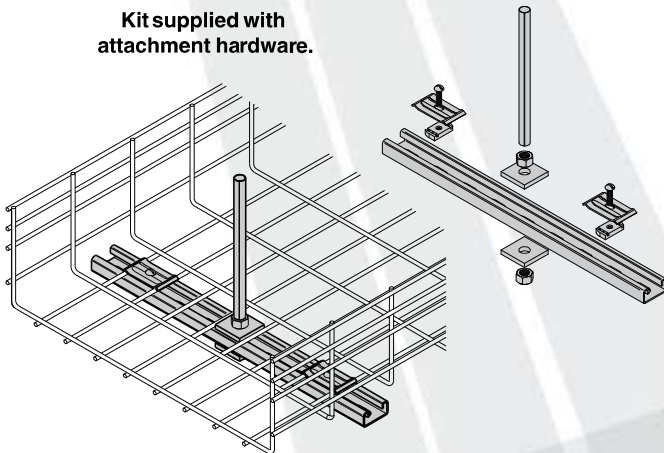
Part Number	System Width		Channel Length		Wt. Per Pc.		Box Quantity
	in.	mm	in.	mm	lbs.	kg	
● WB5318	18	450	21.7	550	2.5	1.1	1
● WB5324	†	†	25.6	650	3.0	1.4	1

† For 20" (500 mm), 21" (525 mm), and 24" (600 mm)

Click hanger design, no wire basket attachment hardware required. See page WB-18 for Click Hanger instructions. Engineered and supplied in kit form to install a trapeze hanger. Supplied with 4 - 3/8" hex nuts.

Heavy Duty Center Hung Support Kit

Kit supplied with attachment hardware.



Finish: Zinc Plated

Part Number	Channel Length		Wt. Per Pc.		Box Quantity
	in.	mm	lbs.	kg	
● WB5518CH	18	457	2.2	1.0	1

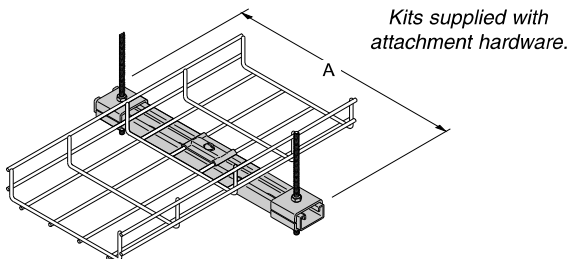
Designed for 1/2" ATR. Channel length of 18" supports 12, 18, 20, 21, and 24 inch Wire Basket Systems. Protection sleeve for ATR to prevent damage to cables. 1/2" ATR attachment hardware provided. Wire Basket mounting attachment hardware provided. Optional ATR stiffener (see page WB-36).

Heavy Duty Center Hung Support assembly includes:

- 1 - MO 3011/2x8 Threaded Rod Protector
- 2 - MO 202 Square Washers
- 2 - HN 1/2"-13 Hex Nuts
- 2 - N224WO, 1/4"-20 Channel Nuts (no spring)
- 2 - SRHMS 1/4"-20 x 1" Machine Screws
- 2 - WB4HD Hold Down Plates
- 1 - MO54SH Channel, 18" long

Trapeze Support Kits

Trapeze Support Kit includes all components required for single trapeze support in one package. Designed for use with 1/4" ATR. Also available for 3/8" ATR, add -3/8 suffix to part number. Order threaded rod separately.



Finish: Channel: Pre-Galvanized Zinc
Other components: Zinc Plated

Part Number	System Width		A		Wt. Per Pc.		Box Quantity
	in.	mm	in.	mm	lbs.	kg	
● WB5506	6	150	10	250	1.6	.73	1
● WB5508	8	200	12	200	1.7	.77	1
● WB5512	12	300	16	400	2.0	.91	1
● WB5518	18	450	22	560	2.5	1.13	1
● WB5524	†	†	28	710	2.9	1.32	1

† For 20" (500 mm), 21" (525 mm), and 24" (600 mm)

Trapeze Kit for 1/4" ATR includes:

- 4 - MO 450-1/4" U-Washers
- 4 - HN 1/4"-20 Hex Nuts
- 1 - WB4HD Hold Down Plate
- 1 - FN224 1/4"-20 EZ Twirl Nut
- 1 - SRHMS 1/4"-20 x 1" Machine Screw
- 1 - MO54SH Channel

Trapeze Kit for 3/8" ATR add -3/8 suffix, includes:

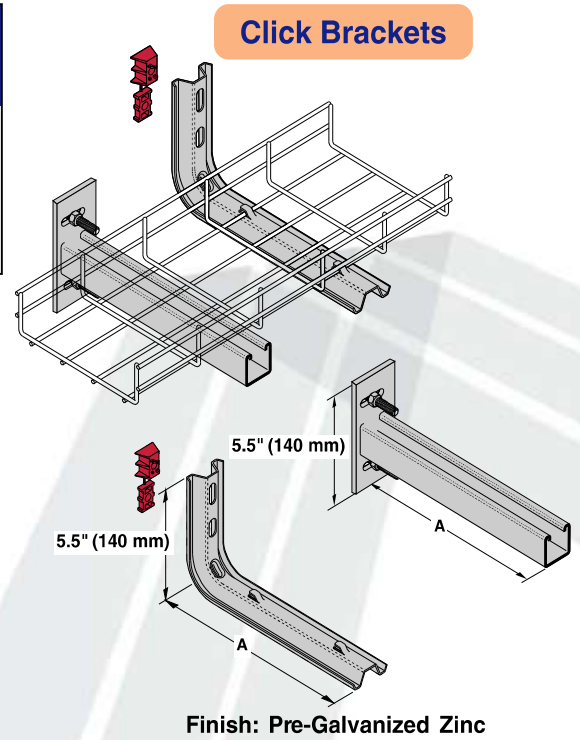
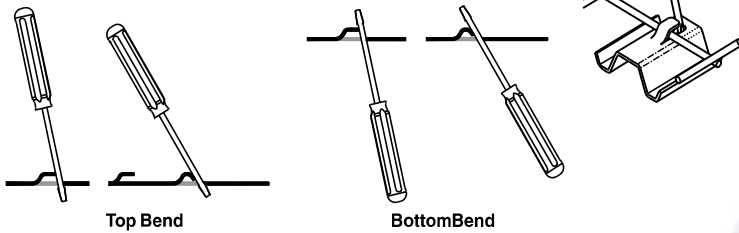
- 4 - MO 450-3/8" U-Washers
- 4 - HN 3/8"-16 Hex Nuts
- 1 - WB4HD Hold Down Plate
- 1 - FN224 1/4"-20 EZ Twirl Nut
- 1 - SRHMS 1/4"-20 x 1" Machine Screw
- 1 - MO54SH Channel

WIRE BASKET

Accessories

Part Number	System Width		A		Wt. Per Pc.		Load Capacity		Box Qty.
	in.	mm	in.	mm	lbs.	kg	lbs.	kN	
● WB506CB	4	100	6	150	.56	.25	140	0.62	1
● WB508CB	6	150	8	200	.66	.30	100	0.44	1
● WB510CB	8	200	10	250	1.05	.47	100	0.44	1
● WB514CB	12	300	14	350	1.25	.57	100	0.44	1

Install directly to a wall or in combination with Support Bracket. Click Brackets are designed for fast and economical support of Wire Basket System. Simply position Wire Basket on the Click Bracket and lock into position with flat blade screwdriver as illustrated. Designed for $\frac{3}{8}$ " mounting hardware (not included). Security plug provided for wall mounting or strut channel mounting. Load Capacity Safety Factor of 3.

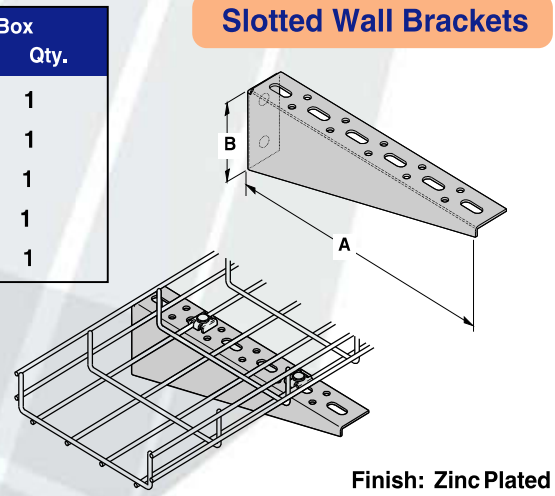


Finish: Pre-Galvanized Zinc

Part Number	A		B		Wt. Per Pc.		Load Cap.		Box Qty.
	in.	mm	in.	mm	lbs.	kg	lbs.	kN	
● B199-6	6	150	1.94	50	.58	.26	225	1.00	1
● B199-8	8	200	3.30	84	.82	.37	225	1.00	1
● B199-12	12	300	3.44	88	1.03	.47	350	1.55	1
● B199-18	18	450	4.94	126	2.32	1.05	250	1.11	1
● B199-24	†	†	6.44	164	3.70	1.68	225	1.00	1

† For 20" (500 mm), 22" (550 mm), and 24" (600 mm)

Adjustable bracket to optimize wire basket positioning. Attach directly to a wall or Metal-One channels with $\frac{1}{2}$ " hardware. Use WB4CP Clamp Assemblies to secure Wire Basket System to the bracket. Order hardware separately. Load Capacity Safety Factor of 3.



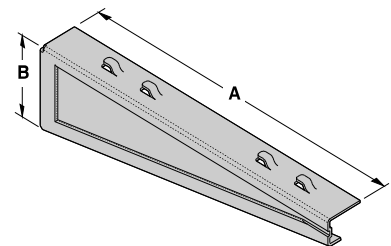
Finish: Zinc Plated

Part Number	System Width		A		B		Wt. Per Pc.		Load Capacity		Box Qty.
	in.	mm	in.	mm	in.	mm	lbs.	kg	lbs.	kN	
● WB5108	8	200	9.8	250	3.5	87	.97	.44	215	0.95	1
● WB5112	12	300	13.8	350	3.5	87	1.32	.60	156	0.69	1
● WB5118	18	450	19.7	500	5.0	125	2.43	1.00	197	0.87	1
● WB5124	†	†	25.6	650	5.0	125	2.87	1.30	180	0.80	1

† For 20" (500 mm), 22" (550 mm), and 24" (600 mm)

Wall bracket for up to 24 inch wide systems. Two wall attachment holes provided for $\frac{3}{8}$ " hardware. Wall mount hardware not provided. Load Capacity Safety Factor of 3.

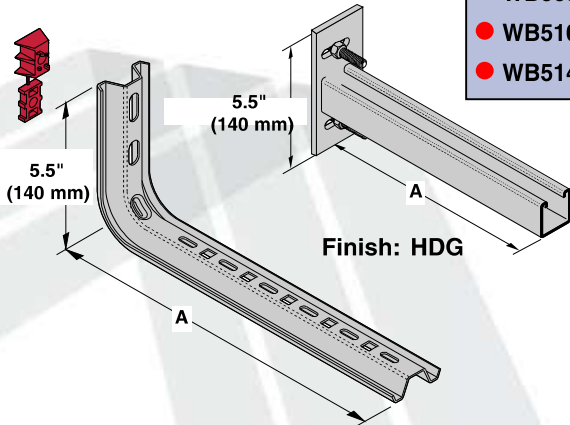
Reinforced Click Bracket



Finish: Zinc Plated

Support Brackets

Part Number	Usable Width		A		Wt. Per Pc.		Load Capacity		Box Qty.
	in.	mm	in.	mm	lbs.	kg	lbs.	kN	
● WB506SB	4	100	6	150	.56	.25	140	0.62	1
● WB508SB	6	150	8	200	.66	.30	100	0.45	1
● WB510SB	8	200	10	250	1.05	.47	100	0.45	1
● WB514SB	12	300	14	350	1.25	.57	100	0.45	1

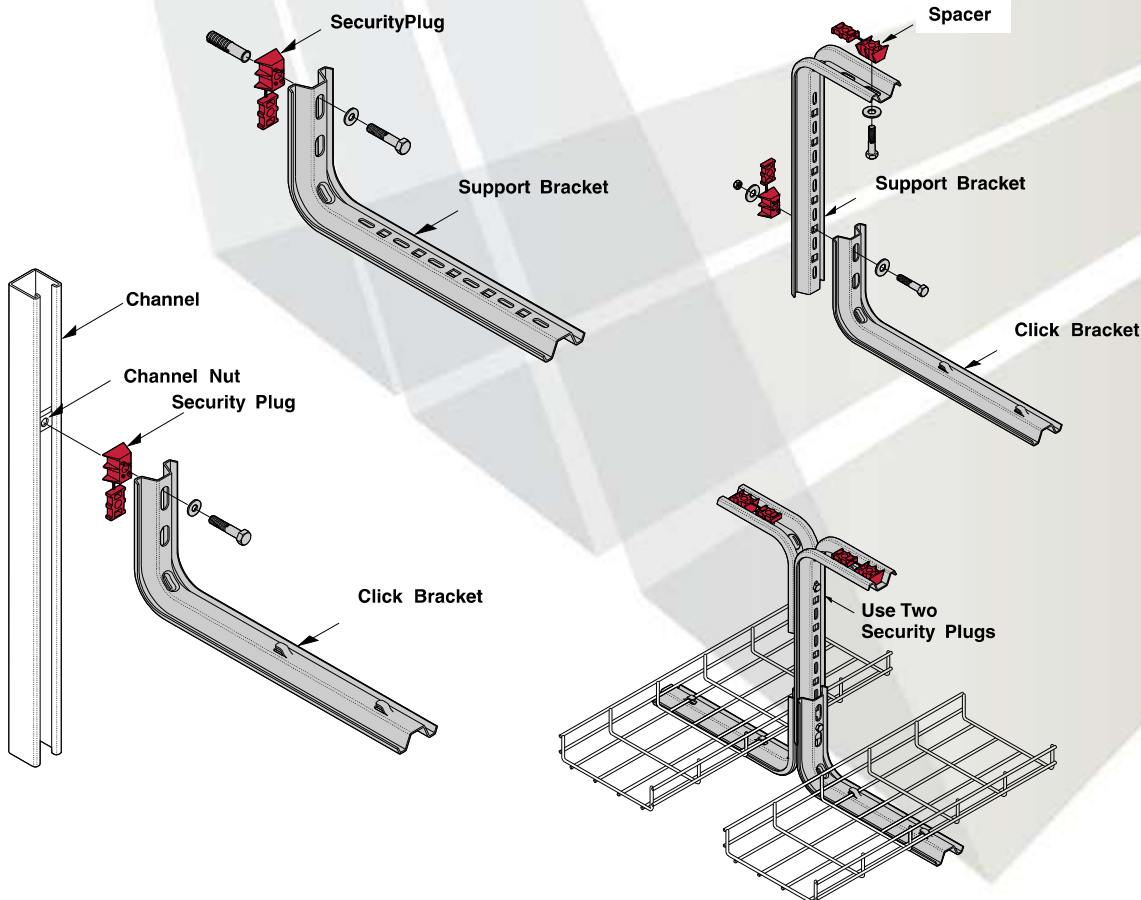


Install Support Bracket directly to the wall or in combination with Click Bracket. Install with 3/8" hardware. Security plug provided for wall mounting or strut channel mounting. Mounting hardware not provided. (See installation illustration below.) Load Capacity Safety Factor of 3.

Finish: Pre-Galvanized Zinc

Support and Click Brackets Installation Details

Brackets can be mounted directly to a wall or used in combination as illustrated. When installing two brackets back-to-back, use two Security Plugs. Order brackets and hardware separately.



WIRE BASKET

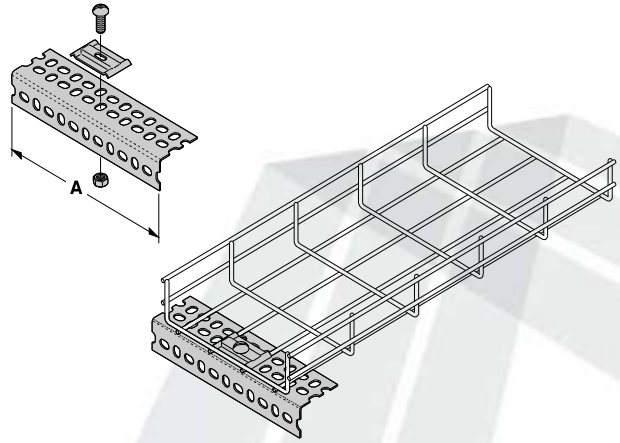
Accessories

Part Number	A		Wt. Per Pc.		Box Quantity
	in.	mm	lbs.	kg	
● WBWTK	9	229	1.3	.590	1

Kit includes all hardware necessary to support wire basket system when terminated at a wall. Mount slotted angle to wall with up to $\frac{3}{8}$ " hardware (not included).

Wall Termination Kit includes:

- 1 - SA276-9 Slotted Angle
- 1 - WB6CH - Hold Down
- 1 - $\frac{3}{8}$ "-16 x 1" Slotted Head Screw
- 1 - $\frac{3}{8}$ "-16 Hex Nut



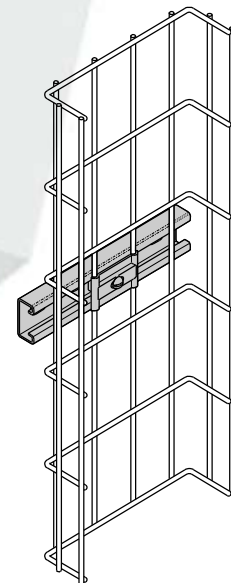
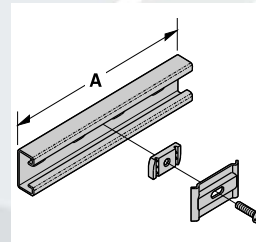
Finish: Zinc Plated

Part Number	A		Wt. Per Pc.		Box Quantity
	in.	mm	lbs.	kg	
● WB48WMK	8	203	.76	.35	1
● WB1224WMK	12	305	1.22	.55	1

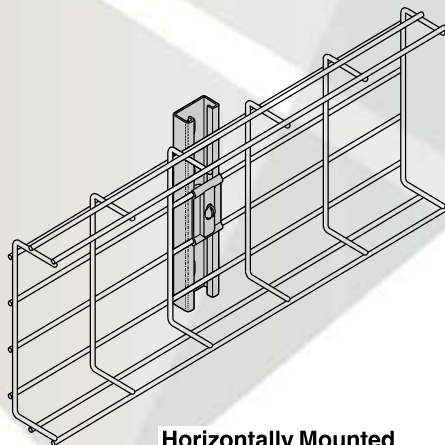
Kit includes all components necessary to mount wire basket to a wall horizontally or vertically. Mount strut to wall with up to $\frac{1}{2}$ " hardware (not included).

Wall Mount Kit includes:

WB48WMR	WB1224WMR	
1	1	MO54SH Strut
1	2	WB4HD Hold Downs
1	2	$\frac{1}{4}$ "-20 x 1" Slotted Head Screw
1	2	N224WO Channel Nut



Vertically Mounted



Horizontally Mounted

Finish: Strut: Pre-Galvanized
Hardware: Zinc Plated

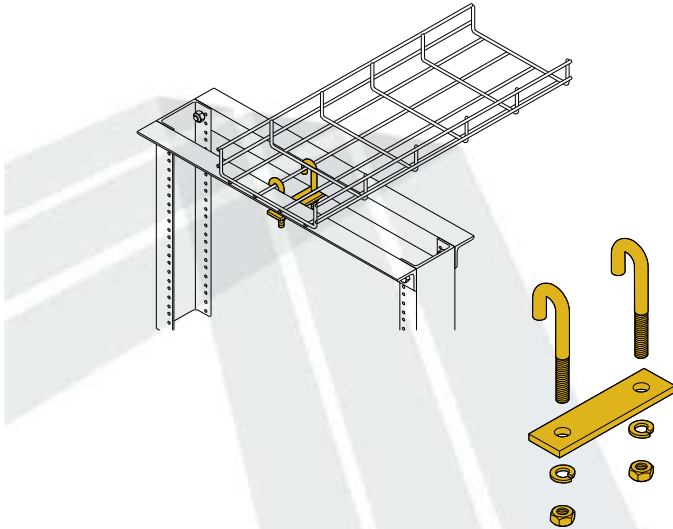
Adaptor Kit

Part Number	Wt. Per Pc.		Box Quantity
	lbs.	kg	
● SB2204	.37	.17	1

Adaptor Kit includes all hardware necessary to connect Wire Basket System to top of relay rack at rightangle or parallel position.

AdaptorKit includes:

- 1 - Mounting Plate
- 2 - 5/16"-18 x 2" J-Bolts
- 2 - HN 5/16"-18 Hex Nuts
- 2 - LW 5/16" LockWashers



Finish: Yellow Zinc Dichromate

2 Pole Support Kits

Kitssupplied with attachment hardware.

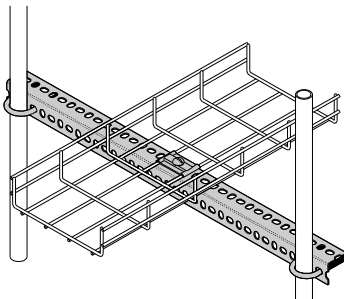
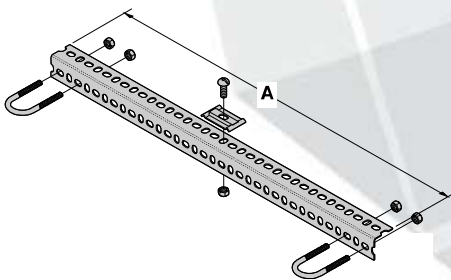
Part Number	A		Wt. Per Pc.		Box Quantity
	in.	mm	lbs.	kg	
● WB138FPSK	27	686	1.96	.89	1
● WB200FPSK	27.75	705	2.00	.91	1

WB138FPSK is for round post sizes 1" - 1.375" and for 7/8" square posts. WB200FPSK is for round post sizes 1.5" - 2".

Kit includes all hardware necessary to support wire basket system from raised floor posts on either 24 inch or 600 mm centers.

2 Pole Support Kit includes:

- 1 - SA158 Slotted Angle
- 2 - B501 U-Bolt
- 4 - 5/16" Flat Washer
- 4 - 5/16" LockWasher
- 4 - 5/16"-18 Hex Nut
- 1 - WB4HD Hold Down
- 1 - 1/4"-20 x 1" Slotted Head Screw
- 1 - 1/4" Flat Washer
- 1 - 1/4"-20 Hex Nut



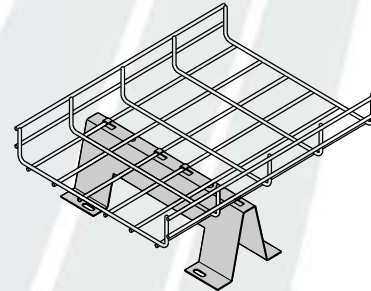
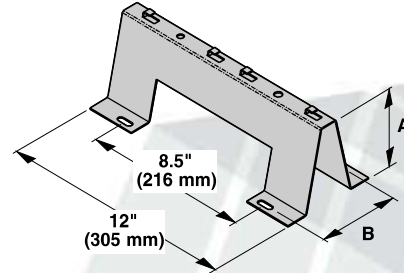
For up to 21" wide wire basket

Finish: Zinc Plated

Part Number	A		B		Wt. Per Pc.		Box Quantity
	in.	mm	in.	mm	lbs.	kg	
● WB312-18UF	3	76	3.69	94	1.50	.47	1
● WB412-18UF	4	102	4.14	105	1.90	.86	1
● WB512-18UF	5	127	4.59	117	2.30	1.04	1
● WB612-18UF	6	152	5.04	128	2.70	1.22	1

Designed to elevate wire basket 3, 4, 5, or 6" off floor. No hardware required to mount wire basket to bracket. Simply bend tabs down around wires using a screwdriver. Floor mount slot size: .313" x .813" (8 mm x 20 mm) for 1/4" hardware. (order separately)

Under Floor Stand

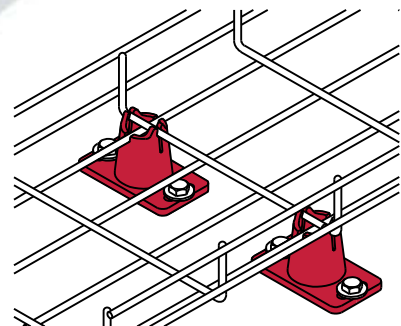
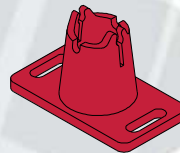


Finish: Pre-Galvanized,
Optional- Dura-Green

Part Number	Wt. Per 100		Box Quantity
	lbs.	kg	
● WB2FS	4.40	2.00	10

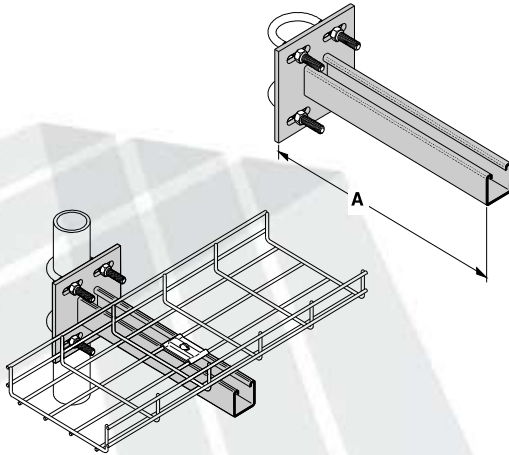
Non-metallic snap lock Floor Support is designed for use under access floors. Floor Support elevates Wire Basket System 1⁵/₈" (41.3 mm) above the floor. To attach Floor Support, use Liquid Nails™ or anchors. Polyamide material. Sized for 1/4" hardware (not included). Elevation increments of 1³/₈" (35 mm) can be obtained by stacking Floor Supports.

Floor Support



Material: Polyamide

Under Floor Support Bracket



Finish: Zinc Plated

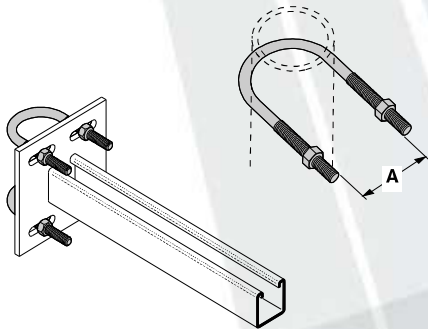
Part Number	Width		A		Wt. Per Pc.		Box Quantity
	in.	mm	in.	mm	lbs.	kg	
● B409UF-12	12	300	12	300	3.6	1.63	1
● B409UF-18	18	450	18	450	4.5	2.04	1
● B409UF-22	22	550	22	583	5.4	2.45	1

Under Floor Support Bracket provides rugged support for Wire Basket System from access floor post.

To complete the installation, the following hardware must be ordered separately.

2	B501 U-Bolts
1	WB4HD Hold Down
1	1/4"-20 x 1" Slotted Head Screw
1	N224WO Channel Nut

U-Bolts

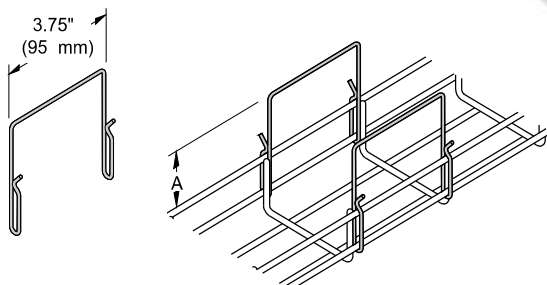


Finish: Zinc Plated

Part Number	A		Thread Size	Wt. Per 100		Box Quantity
	in.	mm		lbs.	kg	
● B501-1	1 ³ / ₈	30	5/16"-18	14	6.3	50
● B501-1 1/2	2	50	5/16"-18	16	7.2	50
● B501-2	2 ⁷ / ₁₆	62	3/8"-16	27	12.2	20
● B501-2 1/2	2 ¹⁵ / ₁₆	75	3/8"-16	32	14.5	25

Designed for attachment of Under Floor Support Brackets to access floor post. Each U-Bolt includes two hex nuts.

Rail Riser



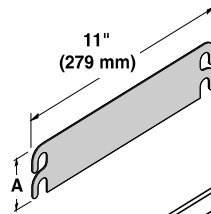
Finish: Zinc Plated

Part Number	A		Wt. Per 100		Box Quantity
	in.	mm	lbs.	kg	
● WB2RR	2	50	3.0	1.5	50ea

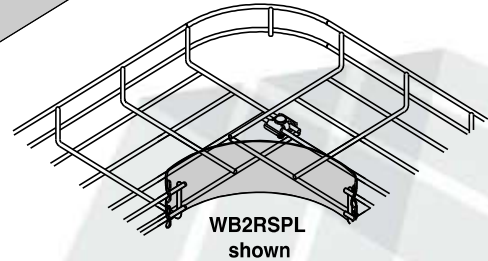
Provides expansion capabilities for existing 2", 4", or 6" systems where additional cable fill area is required. Simple, fast, economical and no tools required - simply snaps on. Increases cable fill depth two inches. Recommended installation frequency: two required every three feet, depending on cable density. Provides controlled cable exit locations. Does not interfere with cable fill area. Can be used on any fitting configuration.

Part Number	A		Wt. Per 100		Box Quantity
	in.	mm	lbs.	kg	
● WB2RSPL	2.5	63	7.2	3.2	20
● WB4RSPL	4.3	110	12.3	5.5	20

Provides a smooth inside radius surface. No tools or fasteners needed to install. Sizes for 2 & 4 inch fill systems; 90° horizontal bends, tees and crosses. Installs in seconds. Simply hold in place and bend back tabs. Slick surface to reduce cable friction.



Radius Shield

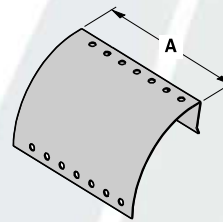


Material: Gray Tinted Polycarbonate

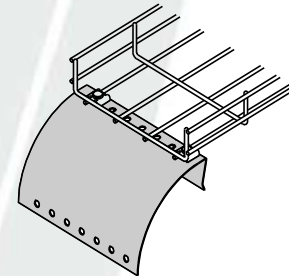
Part Number	A		Wt. Per Pc.		Box Quantity
	in.	mm	lbs.	kg	
● WB06DO	6	150	.68	.3	1
● WB08DO	8	200	.91	.4	1
● WB12DO	12	300	1.36	.6	1

This easy to install drop-out provides a 4" (101.6) radius to protect cables exiting wire basket. For side drop-out, insert slotted flange between top two wires and use one WB4CP. For underside attachment, use two WB4CP's for each wire basket section attached. WB4CP's not included. Use in combination for wider widths.

Additional installation drawings on page WB-37.



Drop-Out

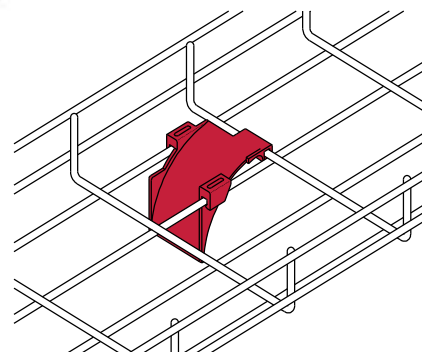
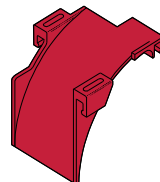


Finish: Pre-Galvanized Zinc
Other finishes available. See page 44.

Part Number	Wt. Per 100		Box Quantity
	lbs.	kg	
● WB2DO	1.76	.80	10

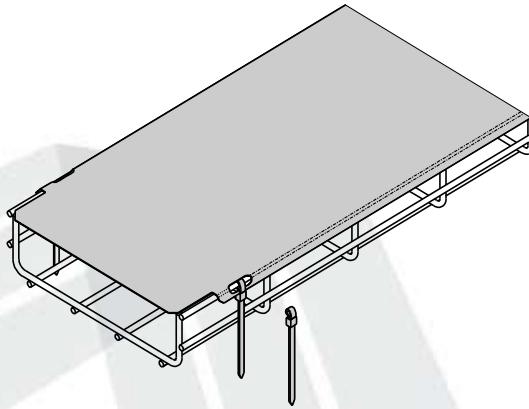
Non-metallic 2" (50 mm) radius Cable Drop-Out snap locks into mesh bottom and protects cables from sharp bend. Polyamide material.

Cable Drop-Out



Material: Polyamide

Covers

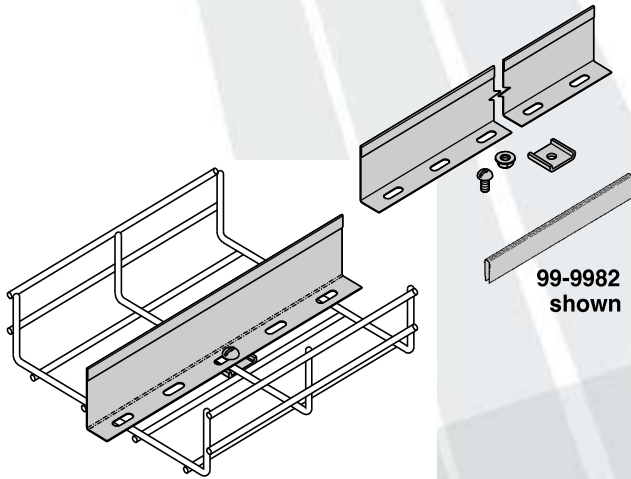


Finish: Pre-Galvanized Zinc

Part Number	System Width		Length		Wt. Per Pc.		Unit Of Measure
	in.	mm	in.	M	lbs.	kg	
● WBP200259	2	50	59	1.5	1.3	.6	1
● WBP200459	4	100	59	1.5	2.0	.9	1
● WBP200659	6	150	59	1.5	2.8	1.3	1
● WBP200859	8	200	59	1.5	3.6	1.6	1
● WBP201259	12	300	59	1.5	5.2	2.4	1
● WBP201859	18	450	59	1.5	7.5	3.4	1
● WBP202059	20	500	59	1.5	8.3	3.7	1
● WBP202259	22	550	59	1.5	8.7	3.9	1
● WBP202459	24	600	59	1.5	9.9	4.5	1

20 gauge pre-galvanized covers 59" long (1.5 meter) supplied with four cable ties to secure to wire basket.

Barriers



Finish: Pre-Galvanized Zinc

Part Number	Height		Length		Wt. Per Pc.	
	in.	mm	in.	mm	lbs.	kg
● WB2B-3M	2	50	118.11	3000	3.31	1.50
● WB4B-3M	4	100	118.11	3000	5.65	2.56
● WB6B-3M	6	150	118.11	3000	7.96	3.61

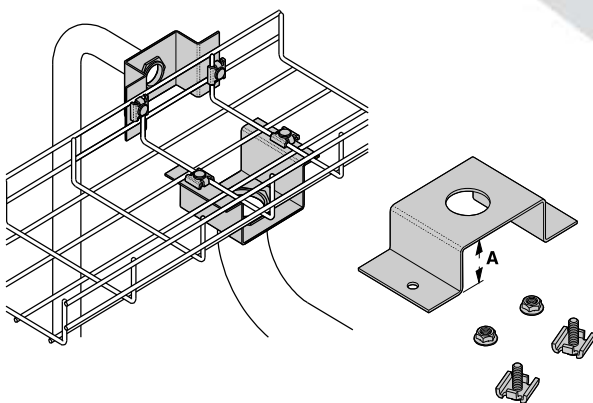
Separates cables randomly. Furnished with attachment hardware.

Additional installation drawings on page WB-39.

Barrier Kit includes:

- 1 - Barrier
- 3 - 1/4" - 20 x 1" SRHM Screw
- 3 - WB4PL
- 3 - SFHN 1/4" Hex Nuts
- 1 - 99-9982 Barrier Strip Splice

Conduit Connector



Finish: Pre-Galvanized Zinc

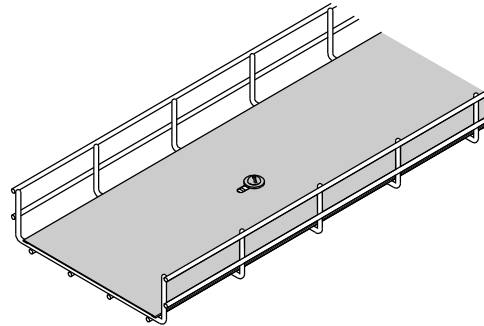
Part Number	A		Conduit Size	Wt. Per 100		Box Quantity
	in.	mm		lbs.	kg	
● WB050CC	1.25	32	.50	47.7	21.6	10
● WB075CC	1.25	32	.75	46.9	21.3	10
● WB100CC	1.25	32	1.00	45.9	20.8	10
● WB125CC	1.25	32	1.25	44.0	20.0	10
● WB150CC	2.00	50	1.50	69.2	31.4	5
● WB200CC	2.00	50	2.00	65.5	29.7	5

Conduit connector is designed to connect conduit to the side or bottom of wire basket. It is designed to keep the conduit bushing outside the wire basket. Furnished with 2 of the WB4CP.

Accessories

Part Number	System Width	Length		Wt. Per Pc.		Unit of Measure	
		in.	mm	lbs.	kg		
● WB04P	4	100	118	3.0	3.9	1.8	1
● WB06P	6	150	118	3.0	6.2	2.8	1
● WB08P	8	200	118	3.0	8.6	3.9	1
● WB12P	12	300	118	3.0	13.3	6.0	1
● WB18P	18	450	118	3.0	20.3	9.2	1
● WB20P	20	500	118	3.0	22.7	10.3	1
● WB22P	22	550	118	3.0	23.9	10.8	1
● WB24P	24	600	118	3.0	27.5	12.5	1

Pan

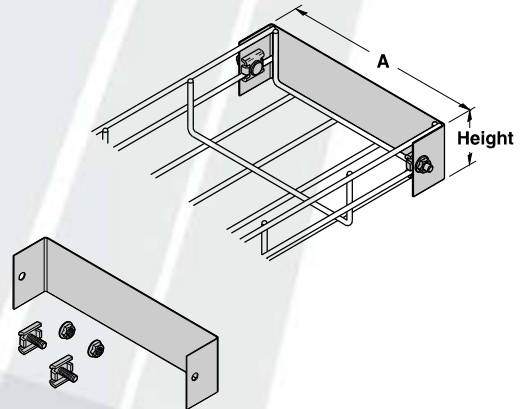


20 gauge pre-galvanized pan 118.1" long (3.0 meter) supplied with necessary hardware to secure to wire basket.

Finish: Pre-Galvanized Zinc

Part Number	A		Height		Box Quantity
	in.	mm	in.	mm	
● WB202BE	2	50	2	50	1
● WB(*)04BE	4	100	(*)		1
● WB206BE	6	150	2	50	1
● WB(*)08BE	8	200	(*)		1
● WB(**)12BE	12	300	(**)		1
● WB(**)18BE	18	450	(**)		1
● WB620BE	20	500	6	150	1
● WB(*)22BE	22	550	(*)		1
● WB(**)24BE	24	600	(**)		1

Blind End



Forms a closure for a dead-end wire basket. Furnished with hardware.

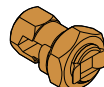
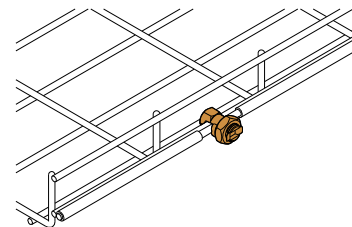
(*) Insert: 2 = 2" (50 mm), 4 = 4" (100 mm) for height

(**) Insert: 2 = 2" (50 mm), 4 = 4" (100 mm), 6 = 6" (150 mm) for height

Finish: Zinc Plated

Part Number	Wt. Per 100		Box Quantity
	lbs.	kg	
● WB2GC	6.6	3.0	25

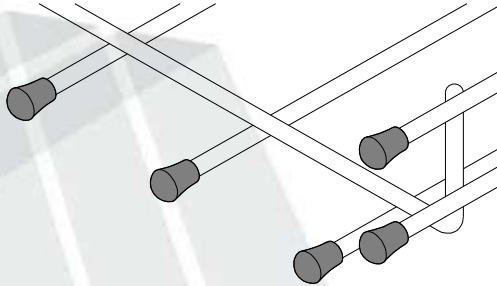
Grounding Clamp



If system grounding is required, use grounding clamps to conveniently attach bare or insulated grounding conductor to each section of Wire Basket System. Secure grounding conductor between clamps with cable ties. Accepts up to #4 wire (AWG).

Material: High strength copper alloy

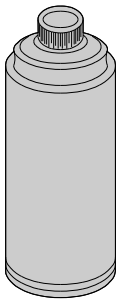
Rubber Cap



Part Number	Wt. Per 100		Box Quantity
	lbs.	kg	
● B719EB	.20	.10	100

Install on wire ends if required. Fits all wire diameters.

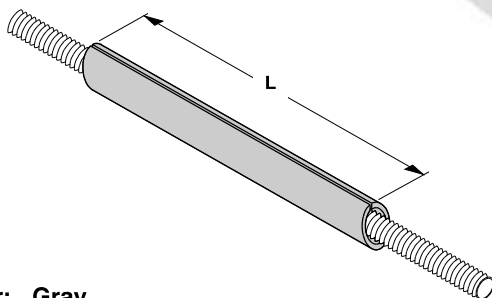
Touch-Up Paints



Size: 12 ounces

Part Number	Color	Wt. Per Pc.		Box Quantity
		lbs.	kg	
● SB420ATG	Gray Lacquer	.9	.41	1
● SB420AFB	Flat Black Lacquer	.9	.41	1
● SB420ACW	Computer White Lacquer	.9	.41	1
● B999	Silver Zinc-Rich Paint	.9	.41	1

Threaded Rod Protector



Finish Color: Gray

Part Number	L		Wt. Per 100		Box Quantity
	in.	mm	lbs.	kg	
● SB301- 1/2 x 8	8	200	.30	.14	1

Use to protect cables from 1/4", 3/8", 1/2" threaded rod. PVC UL94V-0 material.

Loading Information

LOAD & FILL CHARTS

Metal-One load and fill capabilities

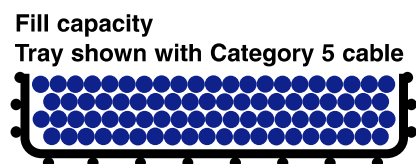
load chart **

fill chart ***

PART	5'	6'	7'	8'	FILL AREA	NUMBER OF CABLES
WB1.5X12	29	17	14	11	11.8	167
WB2X2	34	28	24	20	4.2	59
WB2X4	52	43	35	27	8.2	116
WB2X6	66	49	37	29	12.1	171
WB2X8	66	50	39	29	16.1	228
WB2X12	73	52	39	29	23.9	339
WB2X16	94	54	42	36	31.8	450
WB2X18	99	63	49	40	35.7	506
WB2X20	99	64	49	41	39.7	562
WB2X22	99	74	57	43	43.8	620
WB2X24	101	74	57	45	47.5	673
WB2X30	109	81	65	46	59.8	847
WB2X32	110	85	66	46	63.3	897
WB4X4	58	49	42	36	15.7	222
WB4X6	93	77	60	46	23.6	334
WB4X8	94	78	63	48	31.6	446
WB4X12	121	98	81	63	47.5	673
WB4X16	122	98	81	63	63.6	899
WB4X18	122	98	81	63	71.6	1,013
WB4X20	122	98	81	63	79.5	1,126
WB4X22	122	98	81	63	87.4	1,238
WB4X24	122	98	81	63	95.6	1,353
WB4X30	138	98	81	64	119.5	1,693
WB6X8	139	104	85	74	47.3	670
WB6X12	150	104	85	74	71.6	1,014
WB6X16	150	123	96	77	95.2	1,348
WB6X18	150	125	101	78	107.2	1,518
WB6X20	150	125	102	78	118.9	1,684
WB6X22	151	125	102	78	130.7	1,851
WB6X24	172	131	102	83	143.2	2,028

** Clear Span of Support: Load – lbs per foot. Published load chart has not been tested. Please consult the factory for load information when using the Metal-One splice option. GS Metals recommends that splice/supports comply with NEMA VE-2 installation requirements.

*** Fill Rates: Cables used for fill rate testing are 0.1852" in diameter Metal-One tray fill capacity is based on NEC allowable fill of 50%. This rule requires that cable cross-sectional areas together may not exceed 50% of the tray area (width x depth = fill). Fill capacities stated are based on typical Category 5 diameters (0.1852" dia.) in real-world tray installations. Cables will nearly completely fill the cable tray when reaching the 50% cable fill (see illustration below). When the tray is full, the total of the cable area is only 50% of the tray; this is due to empty space between the surface of the cable. TIA recommends 40% fill ratio. Metal-One tray loads, as shown in the chart, will not be exceeded before fill capacity – see illustration.



Installation Information

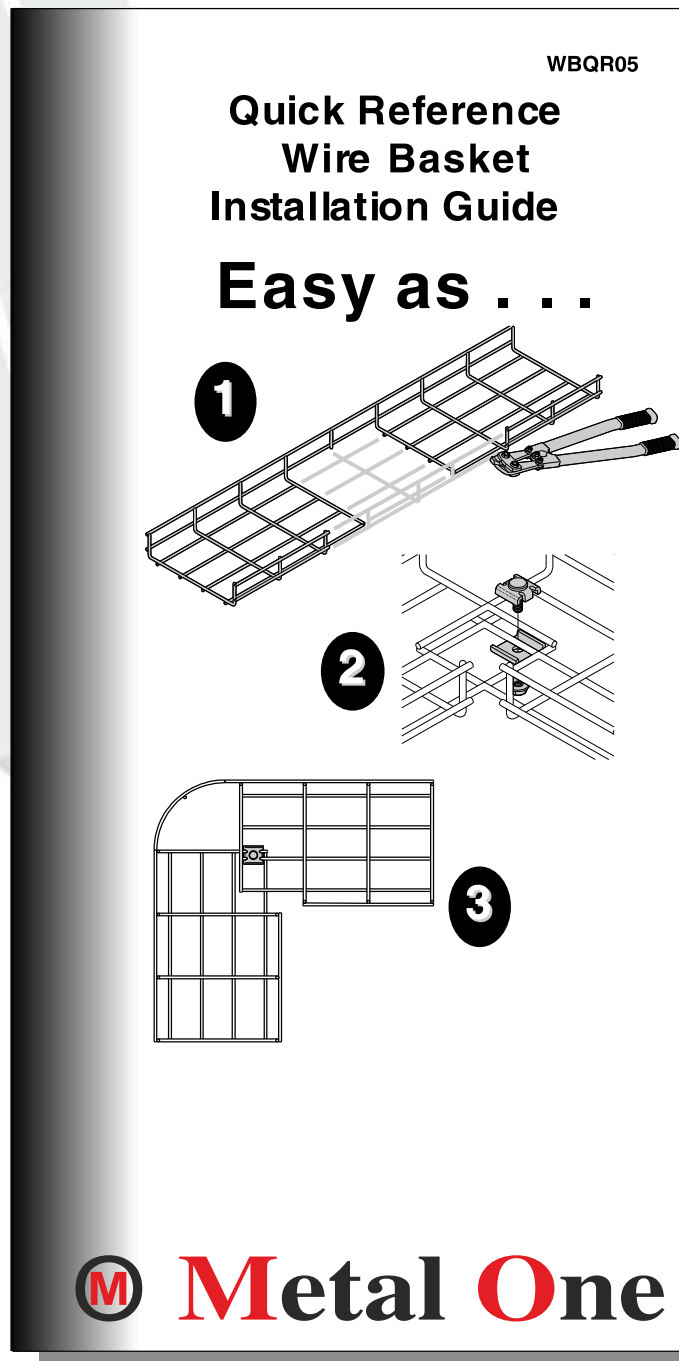
Installation Guide

NEMA VE-2

Wire mesh cable tray systems have been added to the NEMA VE-2, Cable Tray installation guidelines. The NEMA VE-2 is available for free download from www.cabletrays.com

WBQR05

Metal-One packs a quantity of WBQR05 Wire Basket Quick Reference Installation Guides, a pocket sized guide for the installer, with each shipment.



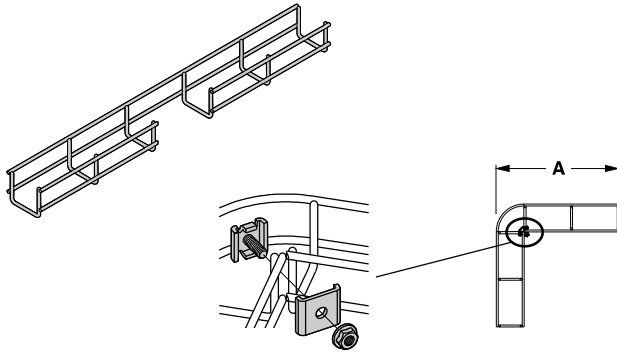
WBQR05

Installation Information

90° Short Radius Bends

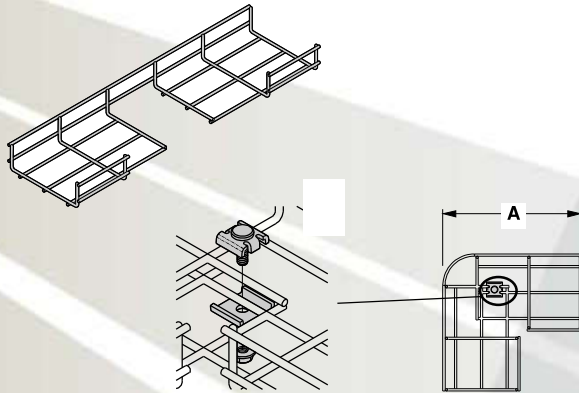
To fieldcut and form a bend from a Wire Basket straight section, cut side and bottom wires (deburr if necessary). Form and assemble using recommended Connector Assemblies as illustrated below.

2" (50 mm) Wide



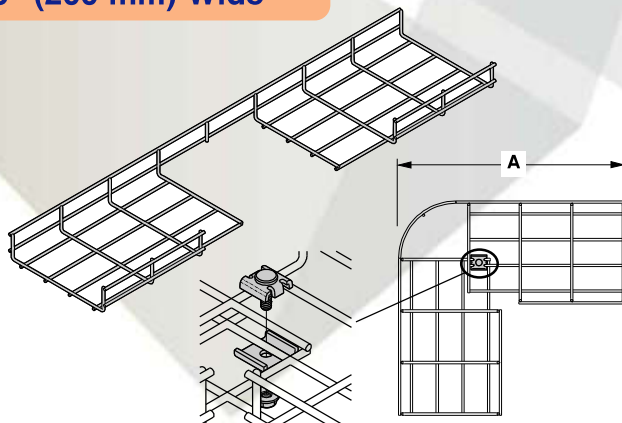
Width		A		Connector Assembly WB4CA
in.	mm	in.	mm	
2	50	10.5	265	1

4" and 6" (100 and 150 mm) Wide



Width		A		Connector Assembly WB4CA
in.	mm	in.	mm	
4	100	10.5	265	1
6	150	14.5	370	1

8" (200 mm) Wide



Width		A		Connector Assembly WB4CA
in.	mm	in.	mm	
8	200	17.3	440	1

NOTE: WB200 Series Wire Basket shown, WB400 Series has an additional side wire.

WIRE BASKET

Installation Information

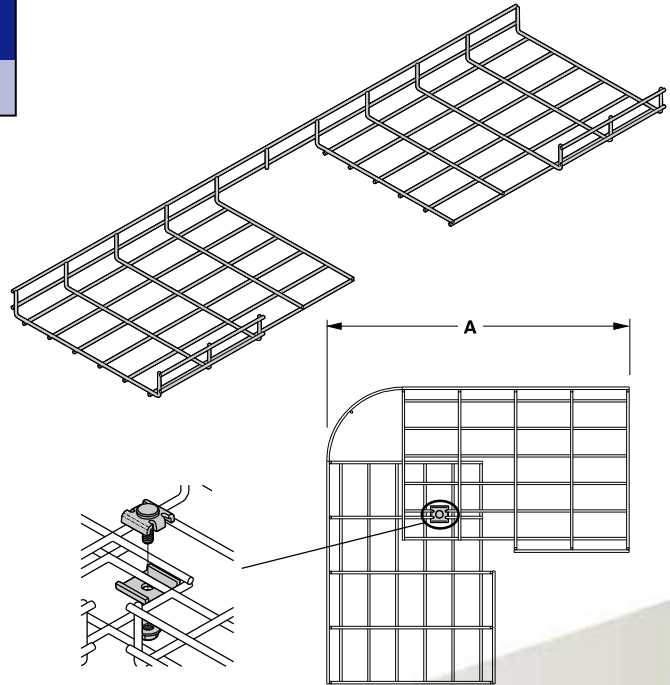
To field cut and form a bend from a Wire Basket straight section, cut side and bottom wires (debur if necessary). Form and assemble using recommended Connector Assemblies as illustrated below.

90° Short Radius Bends

Width		A		Connector Assembly WB4CA
in.	mm	in.	mm	
12	300	21	530	1

NOTE : WB200 Series Wire Basket shown,
WB400 Series has an additional side wire.
WB600 Series has two additional side wires.

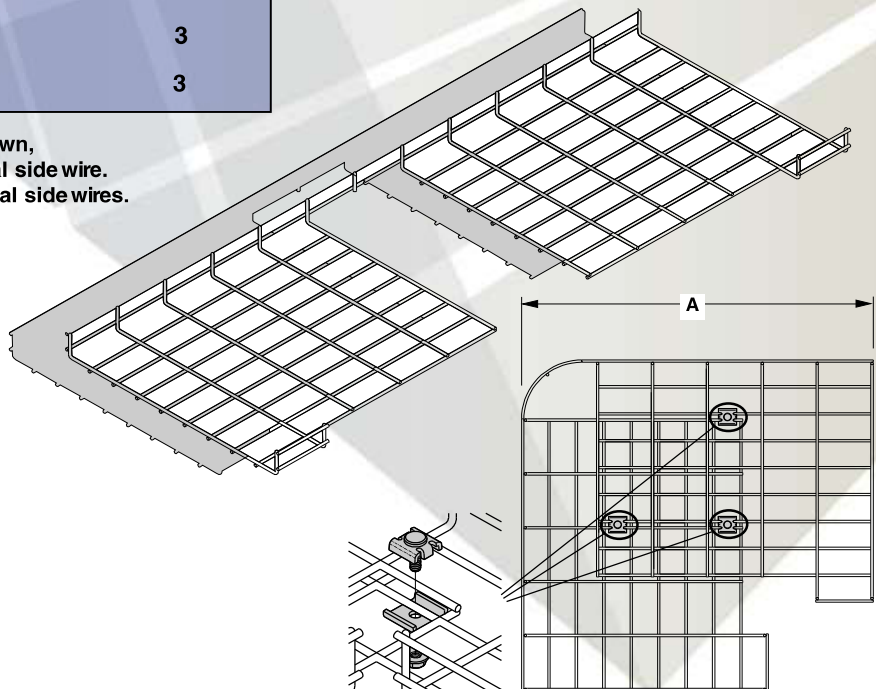
12" (300 mm) Wide



Width		A		Connector Assembly WB4CA
in.	mm	in.	mm	
18	450	25	640	3
20	500	25	640	3
22	550	25	640	3

NOTE : WB200 Series Wire Basket shown,
WB400 Series has an additional side wire.
WB600 Series has two additional side wires.

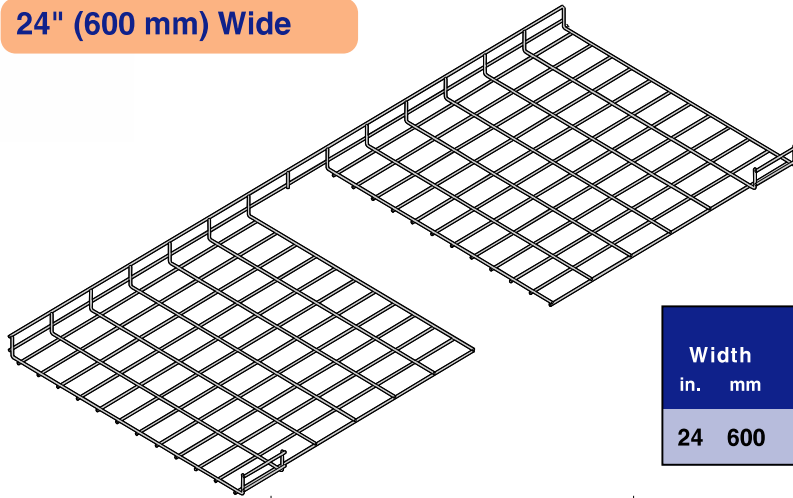
18" (450 mm), 20" (500 mm), 22" (550 mm) Wide



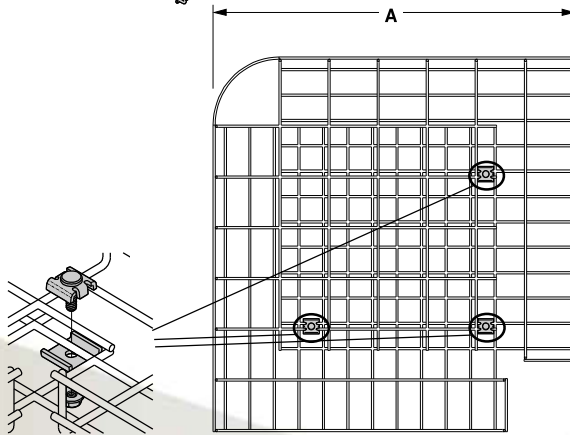
WIRE BASKET

Installation Information

24" (600 mm) Wide

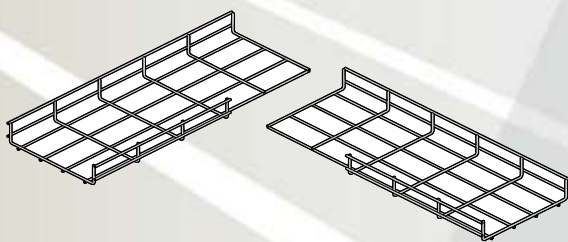


Width		A		Connector Assembly WB4CA
in.	mm	in.	mm	
24	600	29	735	3



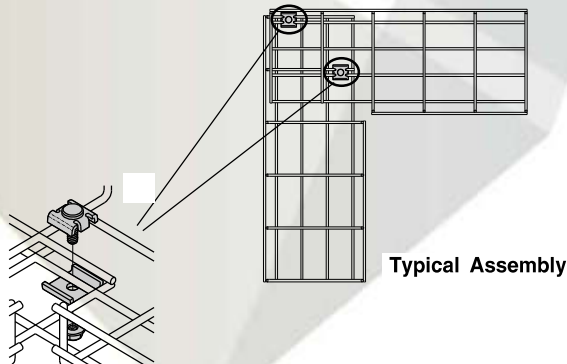
NOTE : WB200 Series Wire Basket shown, WB400 Series has an additional side wire. WB600 Series has two additional side wires.

90° Bends Assembled From Two Straight Sections



Two sections of Wire Basket can be used to assemble a 90° horizontal bend. Cut side wires as illustrated. Information in the chart below shows the number of segments (side wires) to cut and remove. Assemble using Connector Assemblies as illustrated.

Width		Remove Segments	Connector Assembly WB4CA
in.	mm		
4	100	1	2
6	150	2	2
8	200	2	2
12	300	3	2
18	450	4	3
20	500	5	3
22	550	5	3
24	600	6	3

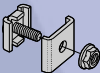
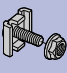
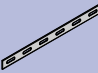


NOTE : WB200 Series Wire Basket shown, WB400 Series has an additional side wire. WB600 Series has two additional side wires.

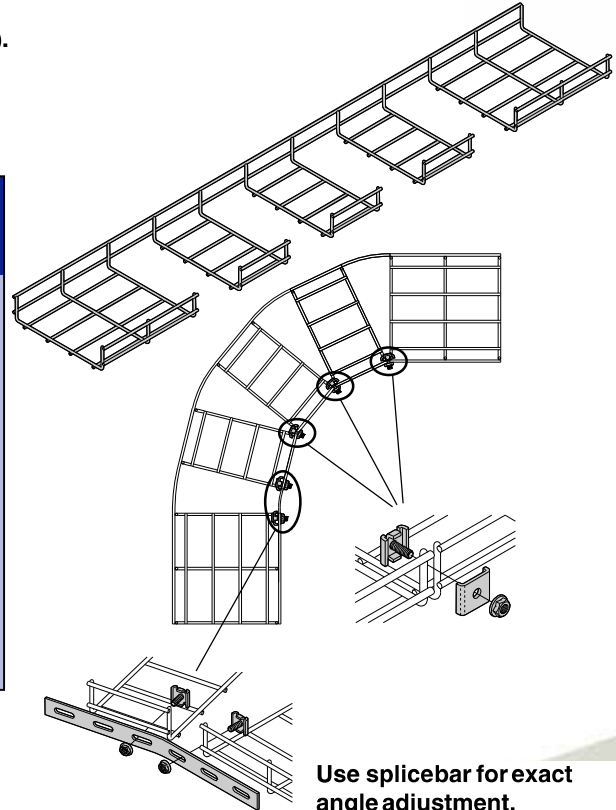
Installation Information

90° Long Radius Bends

To field cut and form a bend from a Wire Basket System straight section, cut side and bottom wires (deburr if necessary). Form and assemble using recommended Splice Bars, Connector and Clamp Assemblies as illustrated below.

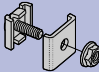
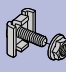

Width		Radius		Remove Segments	Connector Assembly	Clamp Assembly	Splice Bar
in.	mm	in.	mm		WB4CA	WB4CP	WB12SB
4	100	9.5	241	2			
6	150	10.7	272	3	1	2	1
8	200	15	381	4	2	2	1
12	300	22	560	6	3	2	1
18	450	25	635	8	5	2	1
20	500	30	762	10	7	2	1
22	550	30	762	10	9	2	1
24	600	32	813	11	9	2	1

NOTE: WB200 Series Wire Basket shown, WB400 Series has an additional side wire. WB600 Series has two additional side wires.

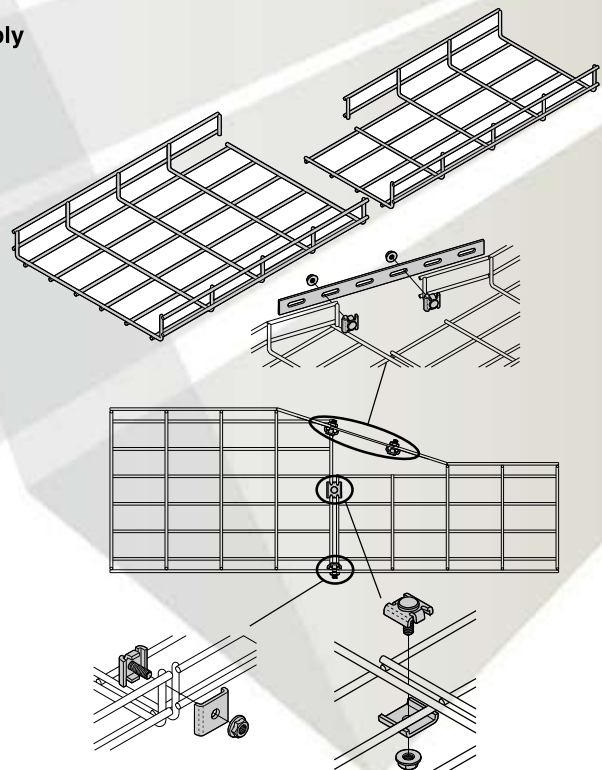


Reducers

To connect two unequal widths of Wire Basket Systems, simply cut and assemble two runway sections using recommended Splice Bars, Connector and Clamp Assemblies as illustrated.

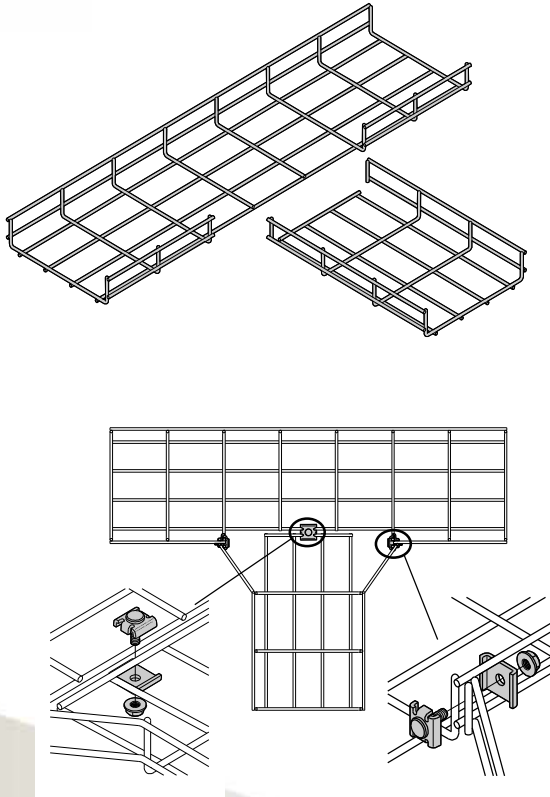
Large Width		Connector Assembly	Clamp Assembly	Splice Bar
in.	mm	WB4CA	WB4CP	WB12SB
4	100			
6	150	1	2	1
8	200	2	2	1
12	300	3	2	1
18	450	3	2	1
20	500	3	2	1
22	550	3	2	1
24	600	3	2	1

NOTE: WB200 Series Wire Basket shown, WB400 Series has an additional side wire. WB600 Series has two additional side wires.



Installation Information

Horizontal Tees



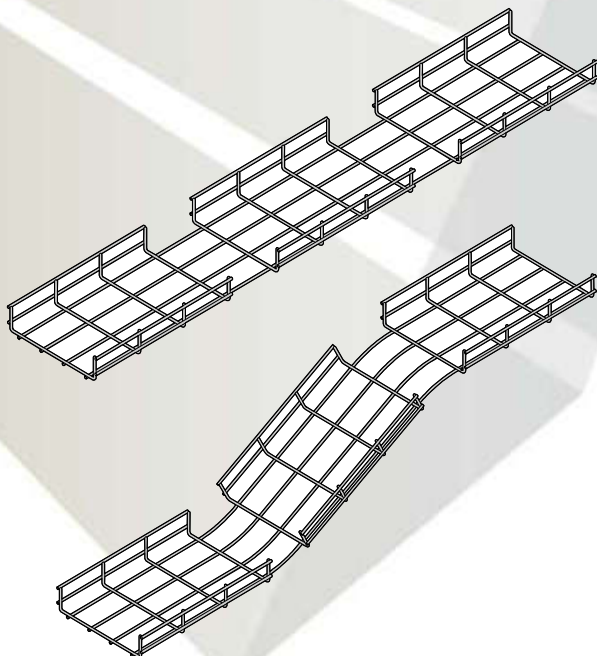
To produce a horizontal tee from Wire Basket straight sections, simply cut, form and assemble as illustrated. To produce a horizontal cross, duplicate the tee and assemble on the opposing side of the tee junction. Double the quantity of Connector Assemblies for a horizontal cross.

Width		Connector Assembly WB4CA
in.	mm	
2	50	2
4	100	2
6	150	2
8	200	3
12	300	4
18	450	4
20	500	4
22	550	4
24	600	4

NOTE: WB200 Series Wire Basket shown, WB400 Series has an additional side wire. WB600 Series has two additional side wires.

Vertical Bend Assembly Guide

Vertical Inside and Outside Bends



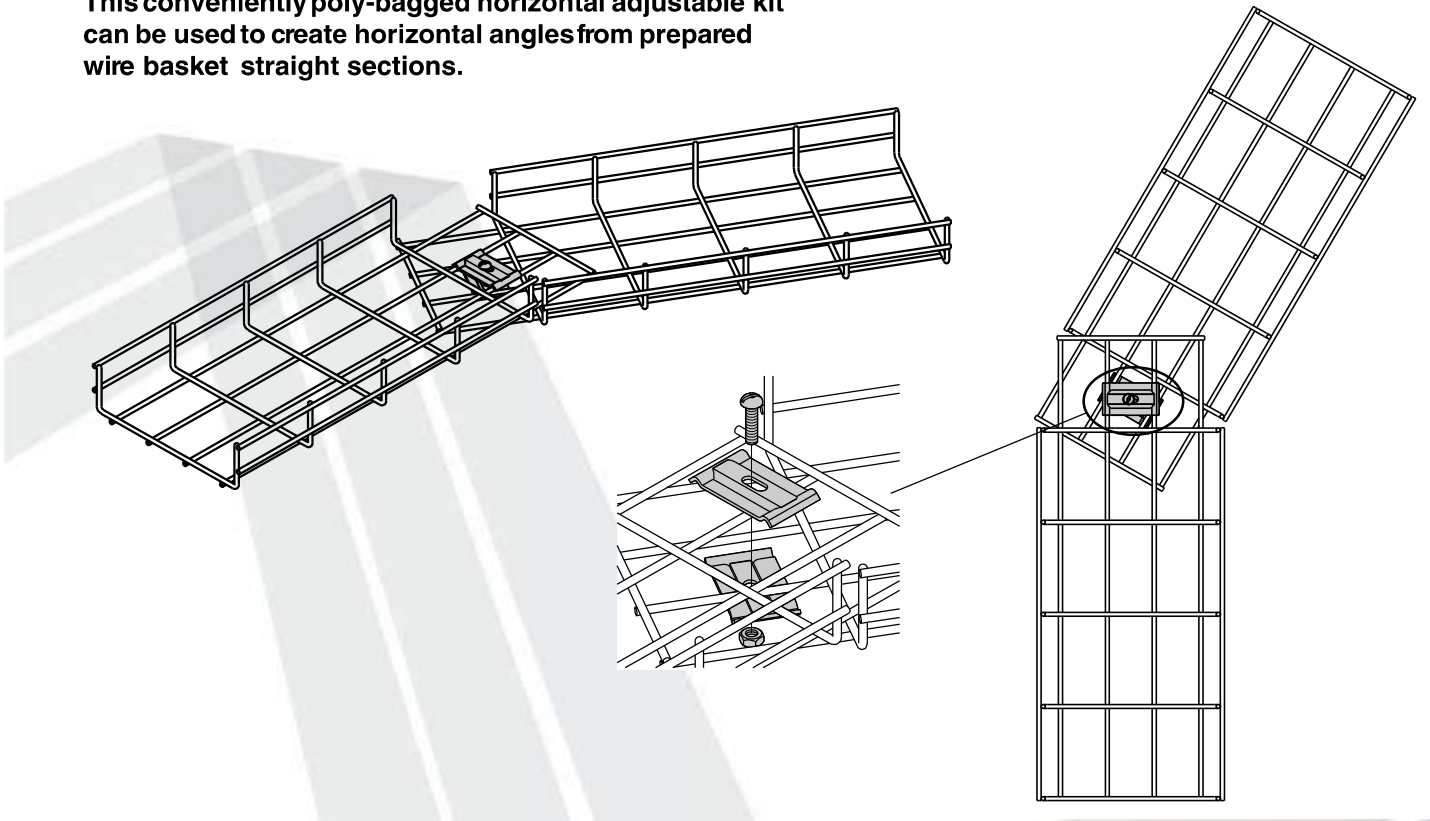
To produce vertical inside and outside bends from Wire Basket straight sections, simply cut and remove side wires as illustrated. Form to desired radius to change elevation. No assembly or splicing components required.

NOTE: WB200 Series Wire Basket shown, WB400 Series has an additional side wire. WB600 Series has two additional side wires.

Installation Information

WB4HAK - Horizontal Adjustable Kit

This conveniently poly-bagged horizontal adjustable kit can be used to create horizontal angles from prepared wire basket straight sections.

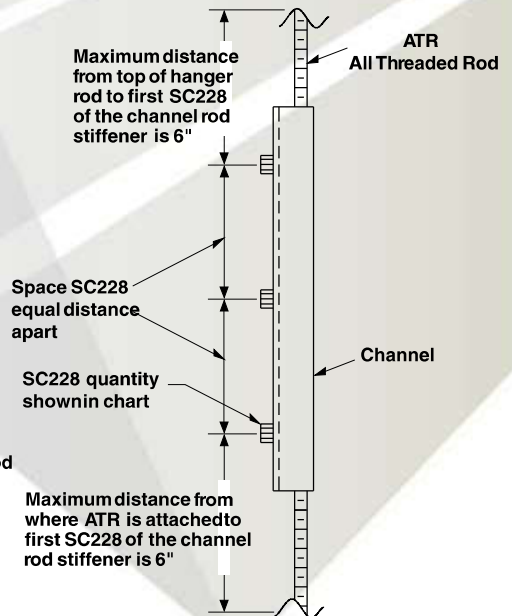
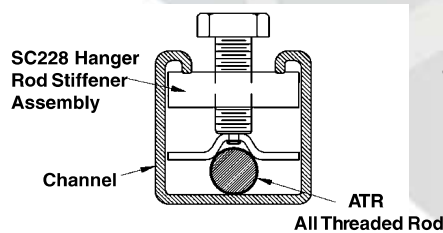


Rod Stiffener

SC228 Hanger Rod Stiffener Assembly

Threaded rod stiffener for $\frac{3}{8}$ " and $\frac{1}{2}$ " ATR (Order B22 Channel Separately). When required this can be used to stiffen all threaded rod when used with center hanging brackets.

Length of Rod	Number of SC228 Required	
	$\frac{3}{8}$ " -16	$\frac{1}{2}$ " - 13
24	2	2
30	3	2
36	3	3
48	4	3
60	5	4
72	6	5
84	7	5
96	7	6

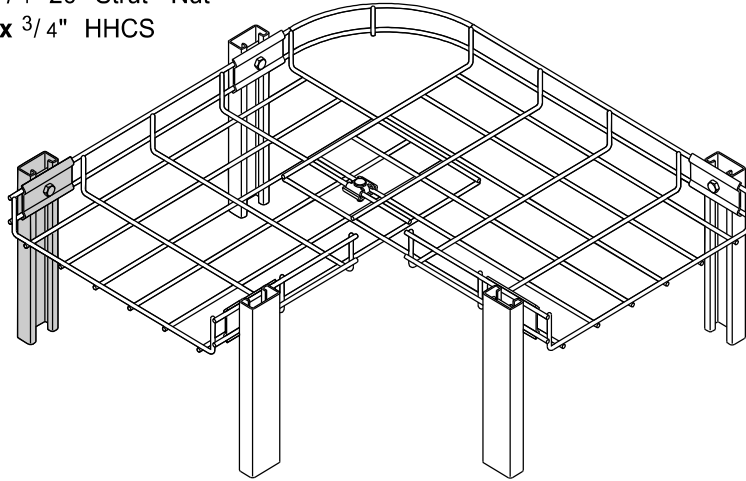


Installation Information

Floor Stand Support Options

Per support bill of material for one leg:

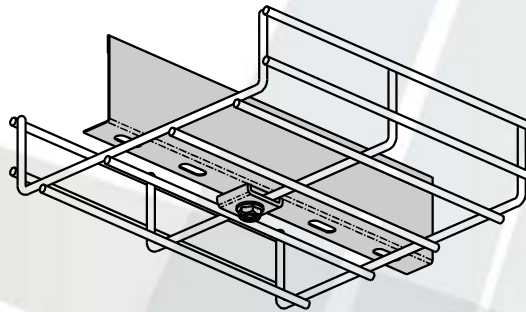
- 1 - cut length of B54 Channel
- 1 - WB4SP
- 1 - FN224 1/4"-20 Strut Nut
- 1 - 1/4"-20 x 3/4" HHCS



Barrier Installation For Wire Basket System

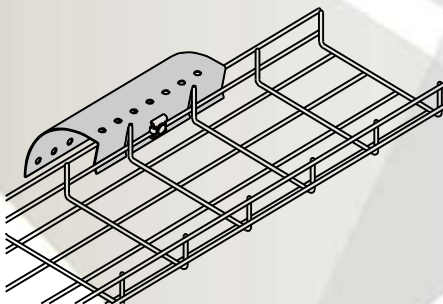
Barrier Kit includes:

- 1 - Barrier*
- 3 - 1/4" - 20 x 1" SRHM Screw
- 3 - WB4PL
- 3 - SFHN 1/4"-20 Hex Nut

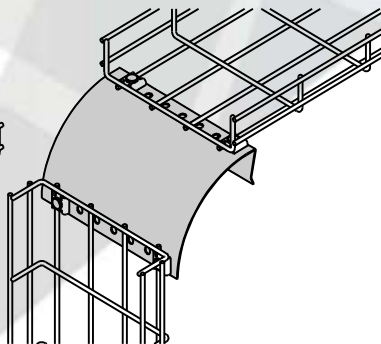


- *Barrier - WB2B-3M for WB200 Series
- WB4B-3M for WB400 Series
- WB6B-3M for WB600 Series

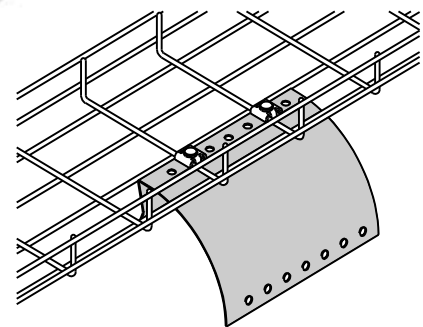
Drop-Out Options



Requires 1-WB4CP
(not included)



Requires 4-WB4CP'S
(not included)



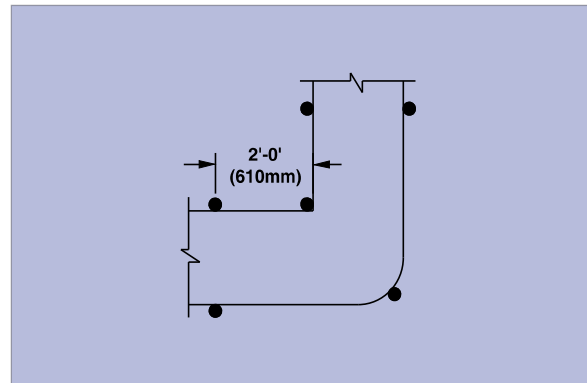
Requires 2-WB4CP'S
(not included)

Installation Information

Recommended Support Locations for Wire Basket Fabricated Fittings

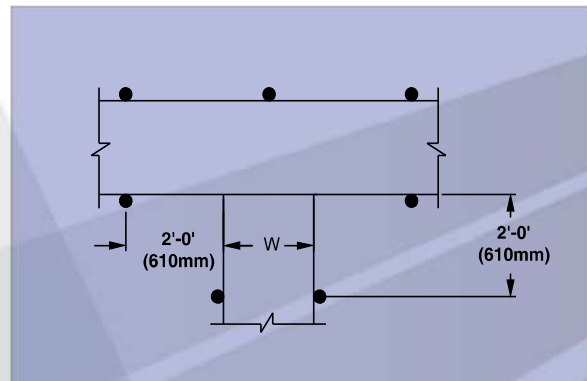
The following are recommended support diagrams to serve as guidelines for installing wire basket cable support systems in the field. The information is intended to provide the installer some practical assistance when estimating the amounts of supports and to help in identifying support locations for various field conditions for the installer. It does not, however, cover every situation that may arise when installing the product. It may be possible to install narrow trays with lighter loads and fewer supports. Wider trays with heavier loading, trays with long radii, or those with multiple side wires cut may require additional support to avoid unwanted deflection.

Horizontal Elbow Support
Inside corner supports are not required on 90° short radius bends.



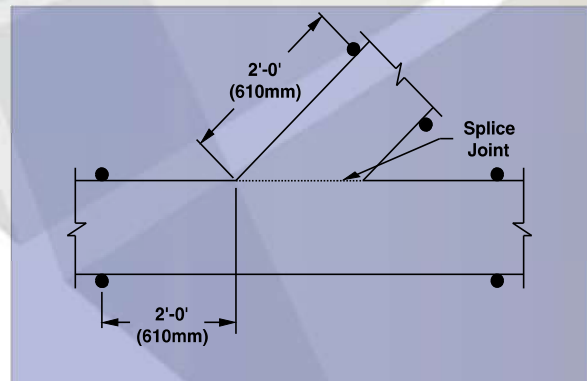
Horizontal Elbow Support

Horizontal Tee Support
On 24" wide items, one support may be placed at the mid-point of the back span as illustrated.



Horizontal Tee Support

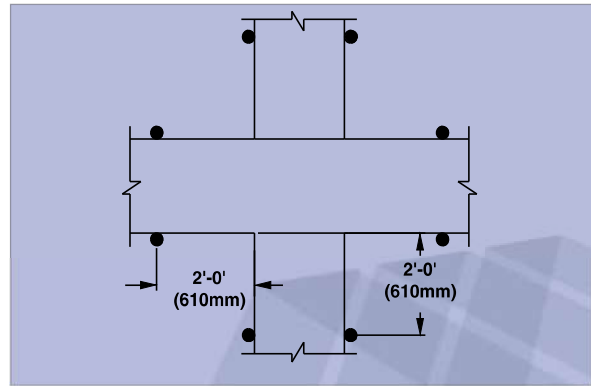
Horizontal Wye Support
On 24" wide items, recommended distance is 1 ft. 6 in. (457mm) from splice connection.



Horizontal Wye Support

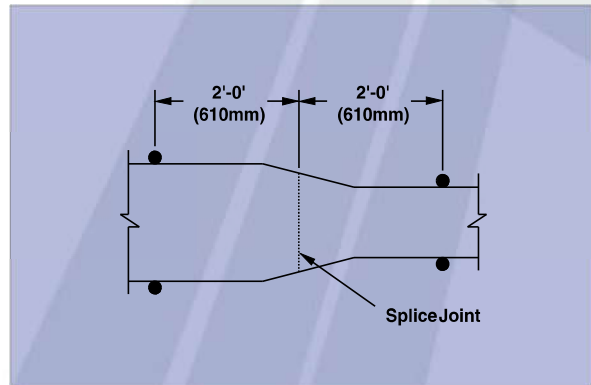
Installation Information

Horizontal Cross Support
On 24" wide items, recommended distance is 1 ft. 6 in. (457mm) from splice connection.



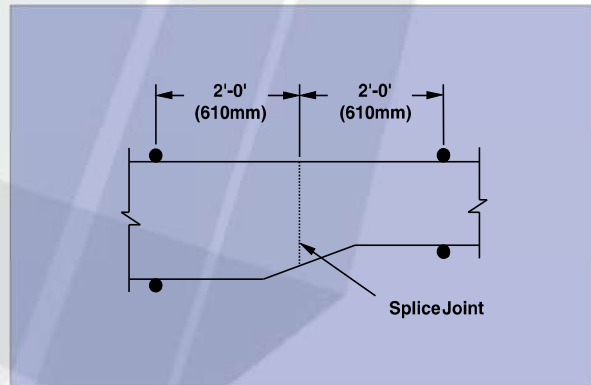
Horizontal Cross Support

Reducer Support
Place reducer supports within 2 ft. (610mm) of each splice connection.



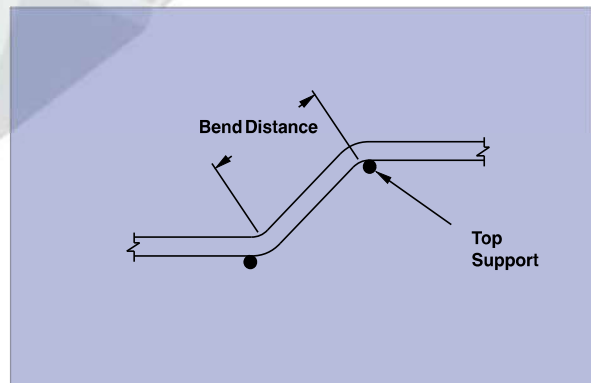
Reducer Support

Reducer Support
Place reducer supports within 2 ft. (610mm) of each splice connection.



Reducer Support

Vertical Elbows
Support vertical elbows at top support location. Bend distances of 4 ft. (1219mm) and over should be supported at each end as illustrated.



Vertical Elbows

Coverage Unlimited



Corporate Office MIDDLE EAST
Jv-One MIDDLE EAST FZE
P.O Box: 16653 Rakftz, Ras Al Khaimah UAE
Email: venture@jv-one.com

Manufacturing Office SAUDI ARABIA
Jv-One Saudi Company
Corporate Office Saudi Arabia
P.O Box: 3081, Al Dammam-31471 KSA
Email: sales@jv-one.com

